

PART NUMBER

KCC187808

REV.

DATE

COMMENTS

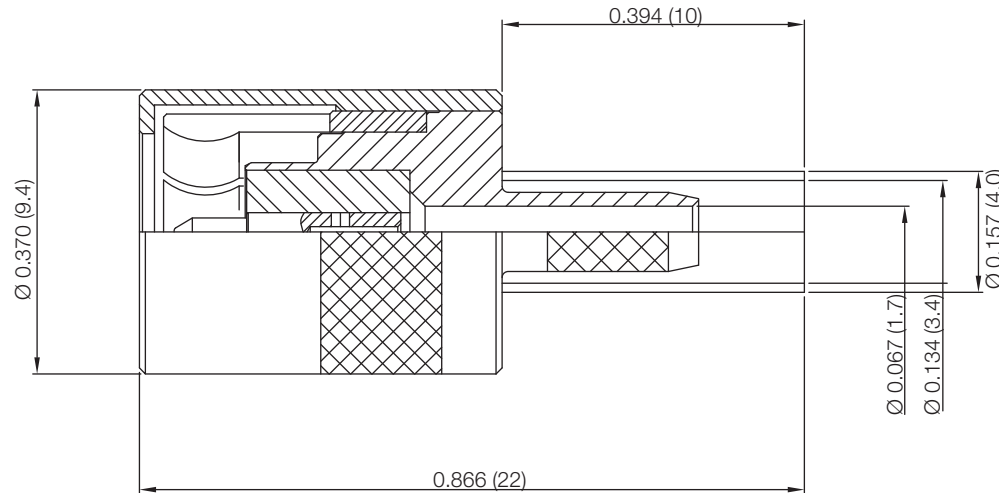
INITIAL

Electrical Data

Impedance	50 Ω
Frequency Range	DC - 12.4 GHz.
Insertion Loss	≤ 0.05 F(GHz)
Working Voltage	335 VRMS max
Insulation Resistance	$\geq 5,000$ M Ω min
Dielectric Withstanding Voltage	750 VRMS
VSWR	≤ 1.25 @ 12.4 GHz Max

RoHS Compliant**Mechanical Data**

Durability	500 Cycles Min.
Temperature Range:	-55 °C - 145 °C



VSWR and Frequency Range Specifications are for reference and are dependant on cable type and other application specific conditions

Drawing not to scale. Dimensions for reference only

Units: inches (mm)

WWW.KONNECTRF.COM
1-800-790-5887

PART NUMBER

KCC187808

DESCRIPTION

SMA Straight Male Plug Quick Connect, Crimp

CAGE CODE

664U0

SIGNATURE

X

Cable Types: RG-316DS**Component**

Body & Sleeve
Outer Contact
Center Contact
Insulator

Material

Brass
BeCu
Brass
PTFE

Plating

Gold
Gold
Gold

THIS DRAWING INCLUDING THE DESIGNS IS THE PROPERTY OF KONNECT RF AND IS NOT TO BE USED FOR ANY PURPOSE WITHOUT OUR APPROVAL.