

PART NUMBER

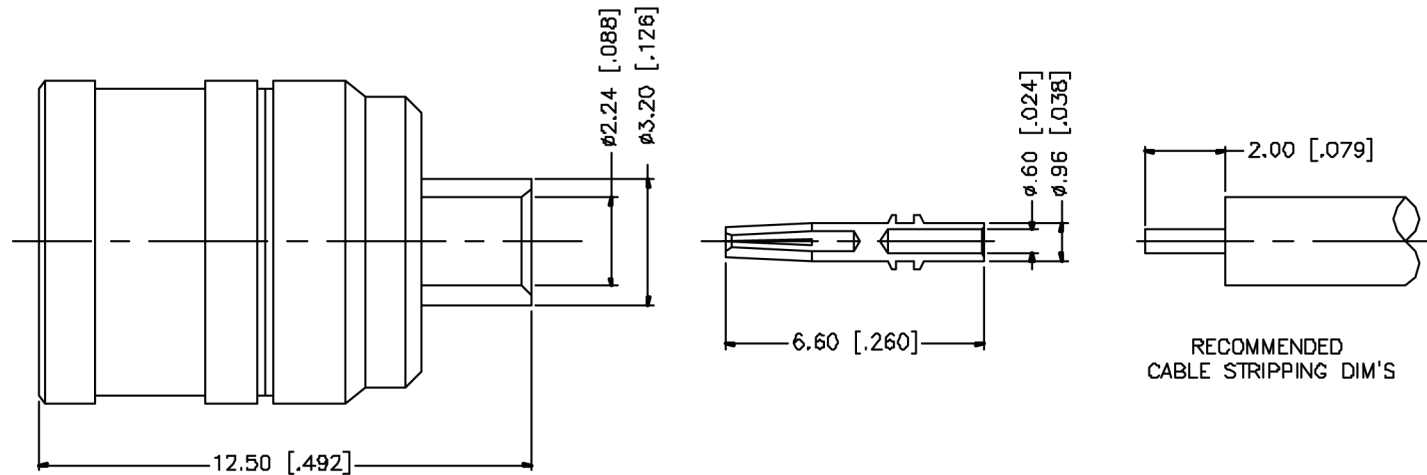
**KCC187350**

REV.

INITIAL

**Electrical Data****RoHS Compliant**

Impedance

50  $\Omega$ 

VSWR and Frequency Range Specifications  
are for reference and are dependant on cable  
type and other application specific conditions

540 NW University Blvd. Ste. 109  
Port Saint Lucie, Florida, 34986  
1-800-790-5887

PART NUMBER

**KCC187350**

DESCRIPTION

**SMB Straight Female Plug  
Solder**

CAGE CODE

**664U0**

SIGNATURE

X

Cable Types

**RG 405 (.085 Semi Rigid)**

Materials

**Body**  
**Center Contact**  
**Insulation**

**Brass**  
**Brass**  
**PTFE**

**Gold Plated**  
**Gold Plated**

THIS DRAWING INCLUDING THE  
DESIGNS IS THE PROPERTY OF  
KONNECT RF AND IS NOT TO  
BE USED FOR ANY PURPOSE  
WITHOUT OUR APPROVAL.