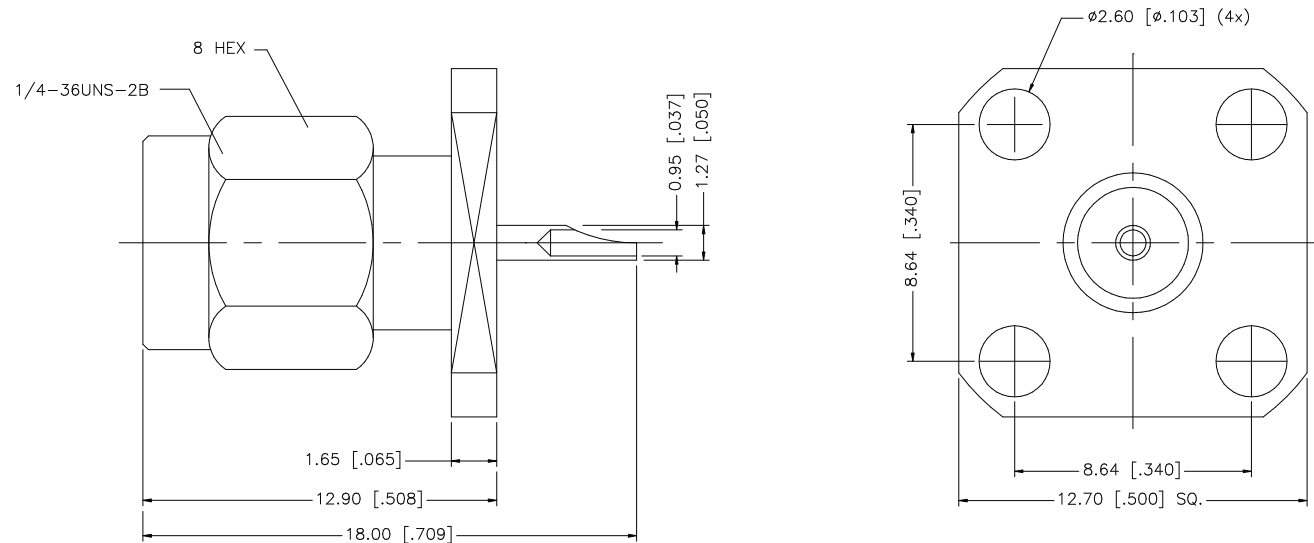


PART NUMBER

**KCC187309**

REV.

INITIAL

**Electrical Data**Impedance 50  $\Omega$ **RoHS Compliant**

Drawing not to scale. Dimensions for reference only

Units: mm (inches)

**Konnnect RF**WWW.KONNECTRF.COM  
1-800-790-5887

PART NUMBER

**KCC187309**

DESCRIPTION

**SMA Straight Male Pug Receptacle, 4 Hole Flange Mount, Solder Pot**

CAGE CODE

**664U0**

SIGNATURE

X

THIS DRAWING INCLUDING THE DESIGNS IS THE PROPERTY OF KONNECT RF AND IS NOT TO BE USED FOR ANY PURPOSE WITHOUT OUR APPROVAL.

**Component**Body  
Center Contact  
Insulator**Material**Brass  
Brass  
PTFE**Plating**Nickel  
Gold