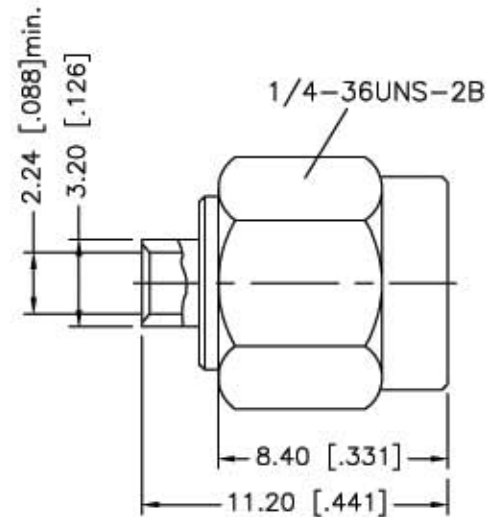
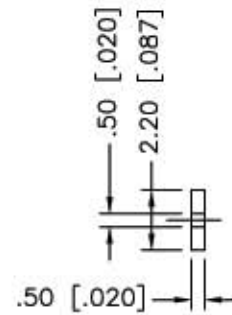
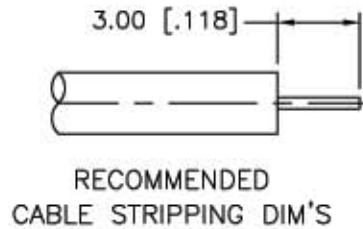


PART NUMBER

KCC187233

REV.

INITIAL



540 NW University Blvd. Ste. 109
Port Saint Lucie, Florida, 34986
1-800-790-5887

PART NUMBER

KCC187233

DESCRIPTION

**SMA Straight Male Plug -
Solder for RG405 (.085, .086 S/R)**

CAGE CODE

664U0

SIGNATURE

X

NOTES

THIS DRAWING INCLUDING THE
DESIGNS IS THE PROPERTY OF
KONNECT RF AND IS NOT TO
BE USED FOR ANY PURPOSE
WITHOUT OUR APPROVAL.

4	CONTACT PIN	BER. COPPER	GOLD
3	INSULATOR	TEFLON	NATURAL
2	BODY	BRASS	GOLD
1	COUPLING NUT	PASSIVATED S.S.	GOLD
	DESCRIPTION	MATERIAL	FINISH