

PART NUMBER

KCC187213

REV.

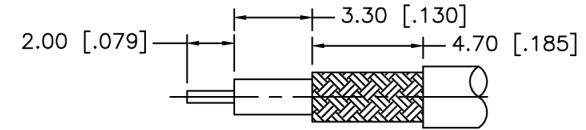
DATE

DESC.

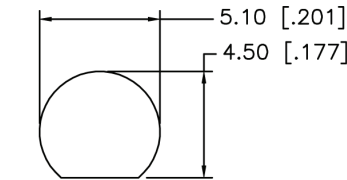
INITIAL

Electrical DataImpedance 50Ω

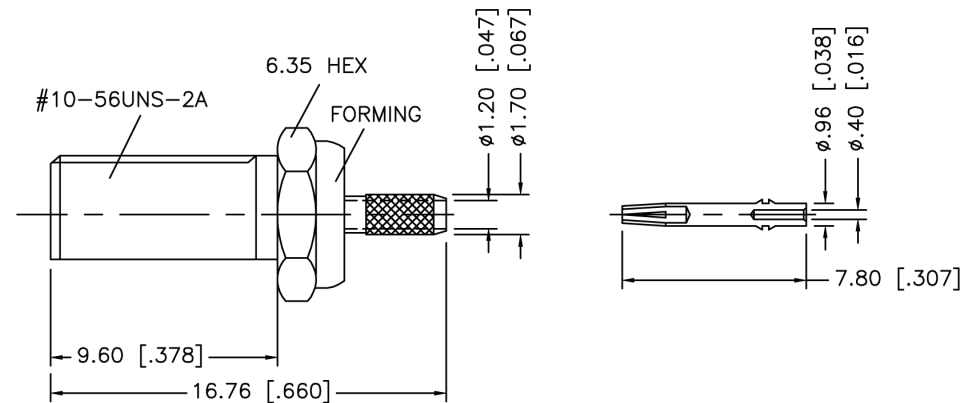
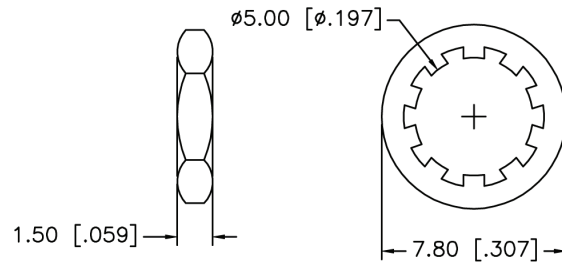
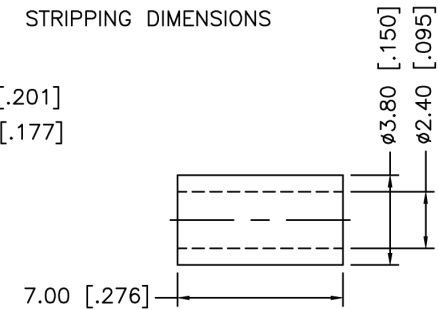
VSWR and Frequency Range Specifications are for reference and are dependant on cable type and other application specific conditions



RECOMMENDED CABLE STRIPPING DIMENSIONS



RECOMMENDED MOUNTING HOLE



WWW.KONNECTRF.COM
540 NW University Blvd. Ste. 109
Port Saint Lucie, Florida, 34986
1-800-790-5887

PART NUMBER

KCC187213

DESCRIPTION

MCX Straight Female Jack - Bulkhead Rear Mount Clamp

CAGE CODE

664U0

SIGNATURE

X

Cable Type **RG 178 & 196****Materials**

Body	Brass	Gold Plated
Center Contact	Be-Cu	Gold Plated
Hex Nut / Lock Washer	Brass	Gold Plated
Insulator	PTFE	Gold Plated

THIS DRAWING INCLUDING THE DESIGNS IS THE PROPERTY OF KONNECT RF AND IS NOT TO BE USED FOR ANY PURPOSE WITHOUT OUR APPROVAL.