

PART NUMBER

KCC187072

REV.

DATE

COMMENTS

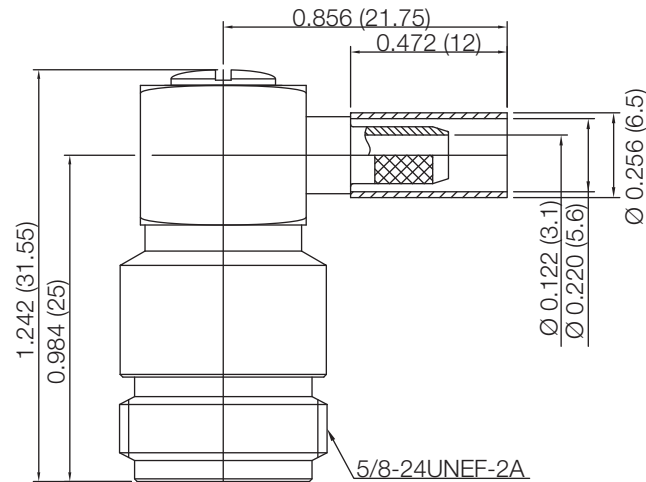
INITIAL

Electrical Data

Impedance 50 Ω
 Frequency Range DC-6GHz
 Working Voltage 1,000 vrms
 VSWR 1.25 @ 2.5GHz

Mechanical Data

Temperature Range: -55 °C - 155 °C

RoHS Compliant

Drawing not to scale. Dimensions for reference only

Units: inches (mm)

Konnect RF

WWW.KONNECTRF.COM
 1-800-790-5887

PART NUMBER

KCC187072

DESCRIPTION

N Right Angle Female Jack, Crimp

CAGE CODE

664U0

SIGNATURE

X

THIS DRAWING INCLUDING THE
 DESIGNS IS THE PROPERTY OF
 KONNECT RF AND IS NOT TO
 BE USED FOR ANY PURPOSE
 WITHOUT OUR APPROVAL.

Cable Types: RG-142, 223, & 400**Component****Material****Plating**

Body & Cover

Brass

Nickel

Ferrule

Brass

Nickel

Center Contact

BeCu

Gold

Insulator

PTFE