

PART NUMBER

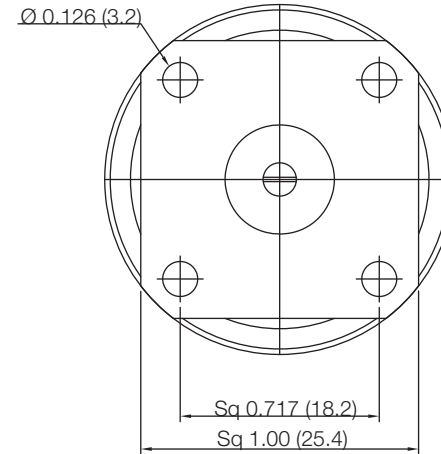
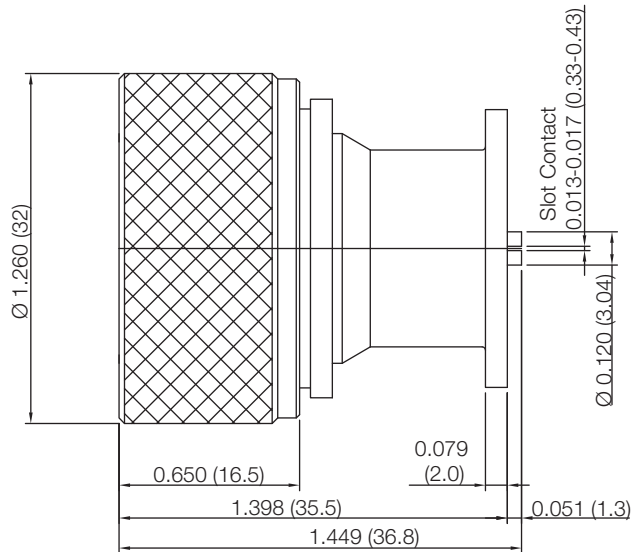
**KCC187046**

REV.

DATE

COMMENTS

INITIAL

**Electrical Data**Impedance 50  $\Omega$ **RoHS Compliant**

Drawing not to scale. Dimensions for reference only

Units: inches (mm)

**Konnect RF**WWW.KONNECTRF.COM  
1-800-790-5887

PART NUMBER

**KCC187046**

DESCRIPTION

**7/16 DIN Straight Male Plug Receptacle, 4 Hole  
Flange Mount, Slot Contact (.013"-.017")**

CAGE CODE

**664U0**

SIGNATURE

X

THIS DRAWING INCLUDING THE  
DESIGNS IS THE PROPERTY OF  
KONNECT RF AND IS NOT TO  
BE USED FOR ANY PURPOSE  
WITHOUT OUR APPROVAL.**Component**Body & Coupling Nut  
Center Contact  
Insulator**Material**Brass  
Brass  
PTFE**Plating**Silver  
Gold