

PART NUMBER

KCC179998

REV.

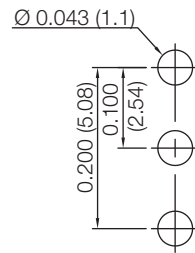
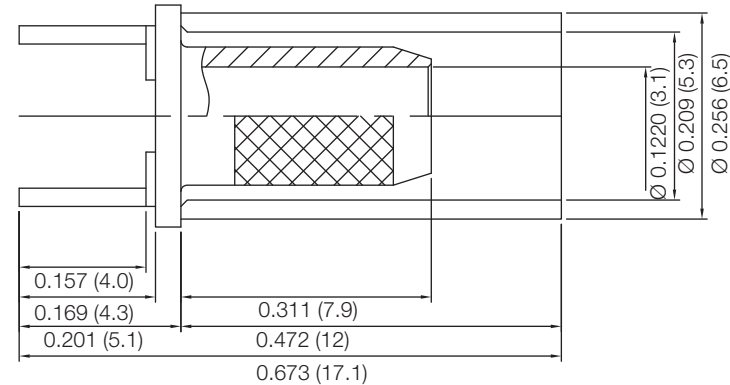
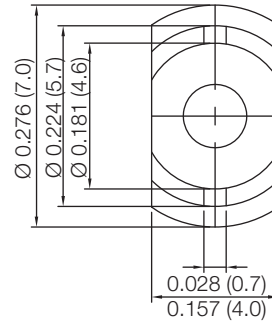
DATE

COMMENTS

INITIAL

Electrical Data**RoHS Compliant**

Impedance 50

Recommended
Mounting Hole

Drawing not to scale. Dimensions for reference only

Units: inches (mm)

Konnect RFWWW.KONNECTRF.COM
1-800-790-5887

PART NUMBER

KCC179998

DESCRIPTION

Cable Termination, Straight 2 Leg PCB Mount, Crimp

CAGE CODE

664U0

SIGNATURE

X

THIS DRAWING INCLUDING THE
DESIGNS IS THE PROPERTY OF
KONNECT RF AND IS NOT TO
BE USED FOR ANY PURPOSE
WITHOUT OUR APPROVAL.**Cable Type:** RG-58**Component**Body
Ferrule**Material**Brass
Brass**Plating**Gold
Gold