

PART NUMBER

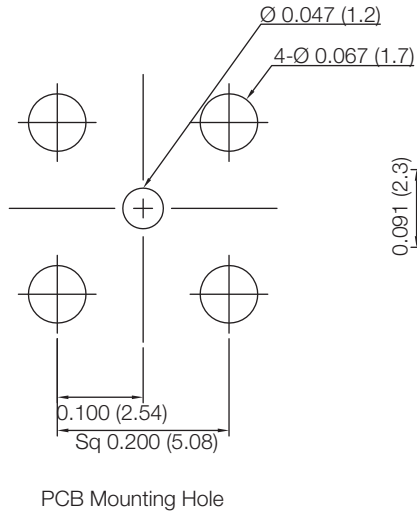
KCC179995

REV.

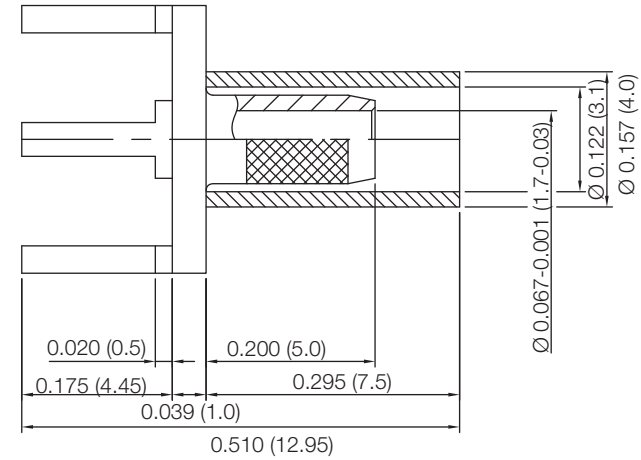
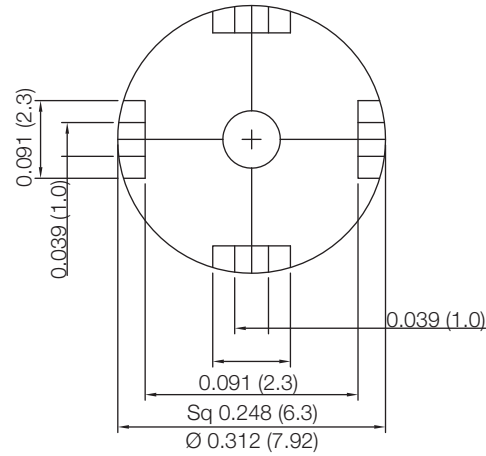
DATE

COMMENTS

INITIAL

Electrical Data**RoHS Compliant**Impedance 50 Ω 

PCB Mounting Hole



Drawing not to scale. Dimensions for reference only

Units: inches (mm)

Konnect RFWWW.KONNECTRF.COM
1-800-790-5887

PART NUMBER

KCC179995

DESCRIPTION

Cable Termination, Straight 4 Leg PCB Mount, Crimp

CAGE CODE

664U0

SIGNATURE

X

Cable Types: RG-174, 316**Component**Body
Ferrule**Material**Brass
Brass**Plating**Gold
GoldTHIS DRAWING INCLUDING THE
DESIGNS IS THE PROPERTY OF
KONNECT RF AND IS NOT TO
BE USED FOR ANY PURPOSE
WITHOUT OUR APPROVAL.