

PART NUMBER

KCC179986

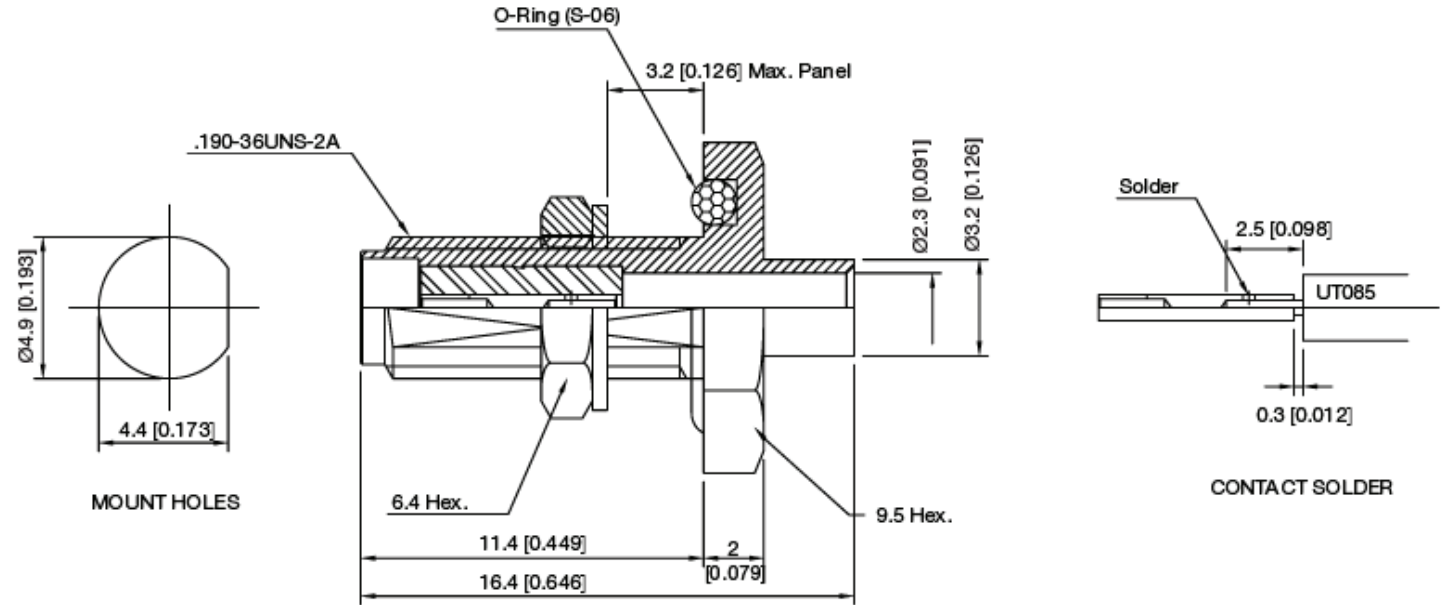
REV.

INITIAL

Electrical Data

Impedance

50 Ω

RoHS Compliant

VSWR and Frequency Range Specifications are for reference and are dependant on cable type and other application specific conditions

Drawing not to scale. Dimensions for reference only

WWW.KONNECTRF.COM
540 NW University Blvd. Ste. 109
Port Saint Lucie, Florida, 34986
1-800-790-5887

PART NUMBER

KCC179986

DESCRIPTION

**SSMA Straight Female Jack
Bulkhead Rear Mount with Seal - Solder**

CAGE CODE

664U0

SIGNATURE

X

Cable Types .085 S/R (RG 405)
Materials

Body / Nut
Center Contact
O-Ring
Insulator

Stainless Steel
Be.Cu
Silicone Rubber
PTFE

Gold Plated
Gold Plated

THIS DRAWING INCLUDING THE DESIGNS IS THE PROPERTY OF KONNECT RF AND IS NOT TO BE USED FOR ANY PURPOSE WITHOUT OUR APPROVAL.