

PART NUMBER

KCC179966

REV.

DATE

COMMENTS

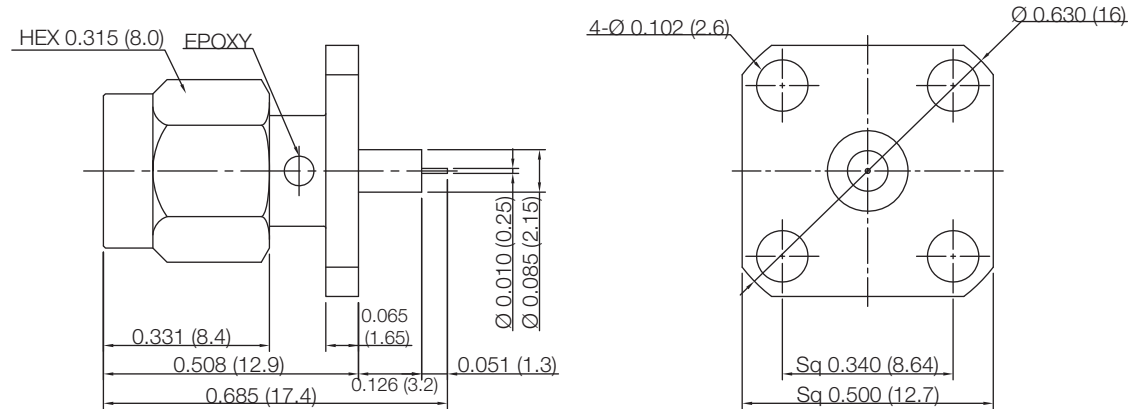
INITIAL

Electrical Data

Impedance 50 Ω
 Frequency Range DC - 18 GHz
 Insertion Loss $0.07 \cdot \sqrt{F(\text{GHz})}$ dB (Max)
 VSWR 1.20 max @ 18 GHz

RoHS Compliant**Mechanical Data**

Durability 500 Cycles Min.
 Vibration MIL-STD-202 method 204 , test condition D
 Shock MIL-STD-202 method 213, test condition I
 Thermal Shock MIL-STD-202 method 207, test condition B
 Moisture Resistance MIL-STD-202 method 106
 Corrosion MIL-STD-202 method 101, test condition B
 Temperature Range: -65 °C - 165 °C
 Applicable MIL STD MIL-C-39012



Drawing not to scale. Dimensions for reference only

Units: inches (mm)

Konnect RF

WWW.KONNECTRF.COM
 1-800-790-5887

PART NUMBER

KCC179966

DESCRIPTION

**SMA Straight Male Plug Receptacle, 4 Hole Flange
 Mount, Extended Teflon, Microstrip, Epoxy Captivated**

CAGE CODE

664U0

SIGNATURE

X

THIS DRAWING INCLUDING THE
 DESIGNS IS THE PROPERTY OF
 KONNECT RF AND IS NOT TO
 BE USED FOR ANY PURPOSE
 WITHOUT OUR APPROVAL.

Component

Body & Coupling Cap
 Center Contact
 Insulator

Material

Brass
 BeCu
 PTFE

Plating

Gold
 Gold