

PART NUMBER

KCC179932

REV.

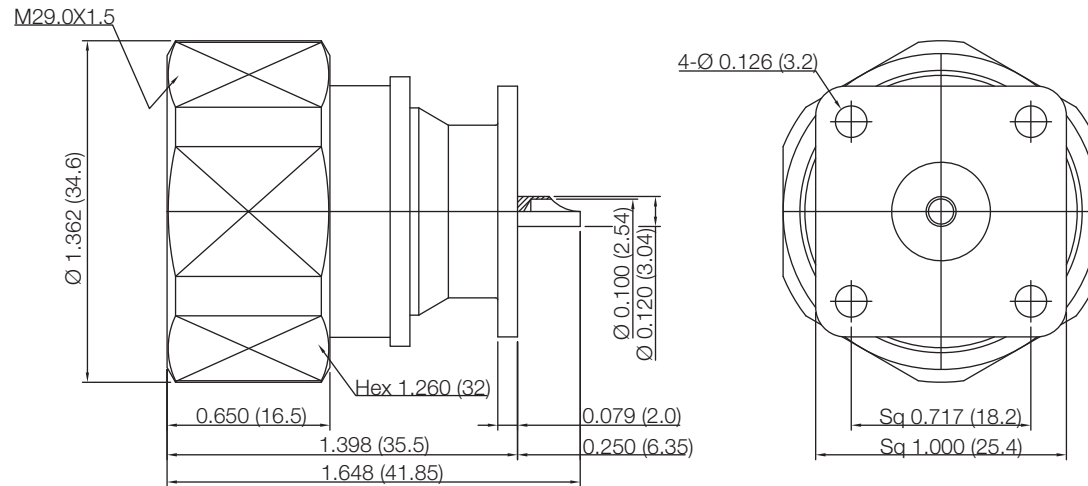
DATE

COMMENTS

INITIAL

Electrical Data

Impedance 50

RoHS Compliant

Drawing not to scale. Dimensions for reference only

Units: inches (mm)

Konnect RFWWW.KONNECTRF.COM
1-800-790-5887

PART NUMBER

KCC179932

DESCRIPTION

**7/16 DIN Straight Male Plug Receptacle,
4 Hole Flange Mount, Solder Pot**

CAGE CODE

664U0

SIGNATURE

X

THIS DRAWING INCLUDING THE
DESIGNS IS THE PROPERTY OF
KONNECT RF AND IS NOT TO
BE USED FOR ANY PURPOSE
WITHOUT OUR APPROVAL.**Component**Body & Coupling Nut
Center Contact
Insulator**Material**Brass
Brass
PTFE**Plating**White Bronze
Gold