

PART NUMBER

KCC179925**RoHS Compliant**

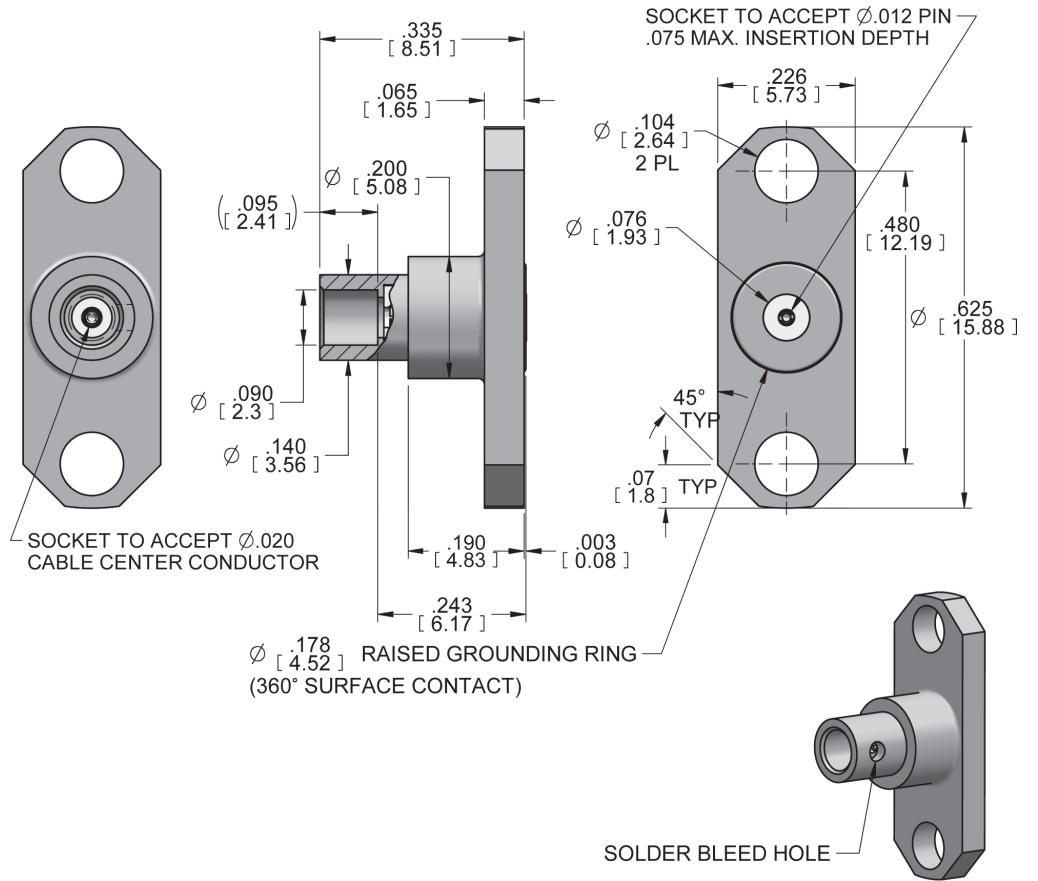
REV.

INITIAL

Electrical Data

Impedance
Frequency Range
VSWR

50 Ω
DC - 40 GHz
1.40:1 Max. @ DC - 40 GHz



VSWR and Frequency Range Specifications
are for reference and are dependant on cable
type and other application specific conditions

Konnect RF

540 NW University Blvd. Ste. 109
Port Saint Lucie, Florida, 34986
1-800-790-5887

PART NUMBER

KCC179925

DESCRIPTION

**Cable Termination - 2 Hole Flange Mount
Accepts 0.012 inch pin - Solder**

CAGE CODE

664U0

SIGNATURE

X

Cable Types RG405 (.085 Semi Rigid)

Materials

**Body / Nut / Washer
Center Contact
Insulator**

**Stainless Steel
Be-Cu
PTFE**

**Gold Plated
Gold Plated**

THIS DRAWING INCLUDING THE
DESIGNS IS THE PROPERTY OF
KONNECT RF AND IS NOT TO
BE USED FOR ANY PURPOSE
WITHOUT OUR APPROVAL.