

PART NUMBER

KCC179889

REV.

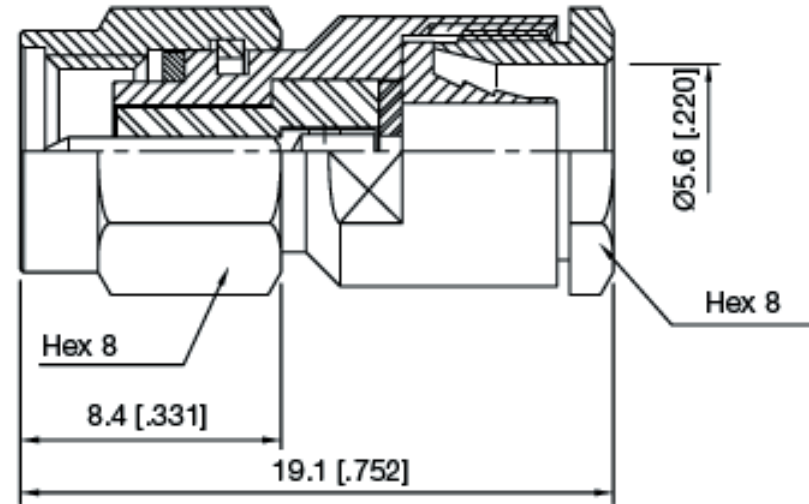
INITIAL

Electrical Data

Impedance 50 Ω
 Frequency Range DC - 6 GHz
 Voltage Rating 375 V rms
 VSWR 1.20:1 Max up to 6 GHz
 Temperature Range -55°C to +155°C

2002/95/EC (RoHS)

Compliant

RoHS Compliant

VSWR and Frequency Range Specifications
 are for reference and are dependant on cable
 type and other application specific conditions

Drawing not to scale. Dimensions for reference only

WWW.KONNECTRF.COM
 1-800-790-5887

PART NUMBER

KCC179889DESCRIPTION **SMA Straight Male Plug - Clamp**

CAGE CODE

664U0

SIGNATURE

X

Cable Types **RG 142, 400**
 Materials

Body / Coupling Nut
 Coupling Cap
 Center Contact
 Cable Ferrule
 Gasket
 Insulator

Stainless Steel
 Stainless Steel
 Brass
 Brass
 Silicone Rubber
 PTFE

Passivated
 Passivated
 Gold Plated
 Gold Plated

THIS DRAWING INCLUDING THE
 DESIGNS IS THE PROPERTY OF
 KONNECT RF AND IS NOT TO
 BE USED FOR ANY PURPOSE
 WITHOUT OUR APPROVAL.