

PART NUMBER

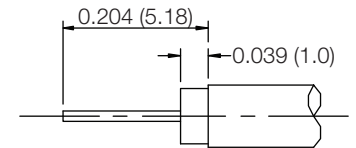
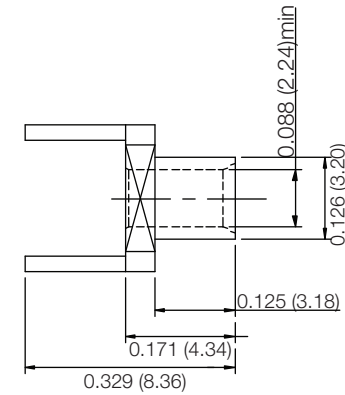
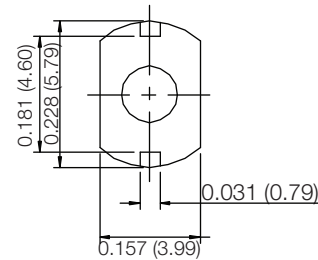
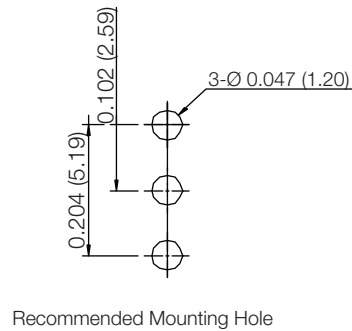
KCC179803

REV.

DATE

COMMENTS

INITIAL

RoHS Compliant

Drawing not to scale. Dimensions for reference only

Units: inches (mm)

Recommended Cable Stripping Dimensions

Konnect RFWWW.KONNECTRF.COM
1-800-790-5887

PART NUMBER

KCC179803

DESCRIPTION

Cable Termination, Straight 4 Leg PCB Mount, Solder

CAGE CODE

664U0

SIGNATURE

X

Cable Type: .085 S/R (RG-405)**Component**
Body**Material**
Brass**Plating**
GoldTHIS DRAWING INCLUDING THE
DESIGNS IS THE PROPERTY OF
KONNECT RF AND IS NOT TO
BE USED FOR ANY PURPOSE
WITHOUT OUR APPROVAL.