

PART NUMBER

KCC179766

REV.

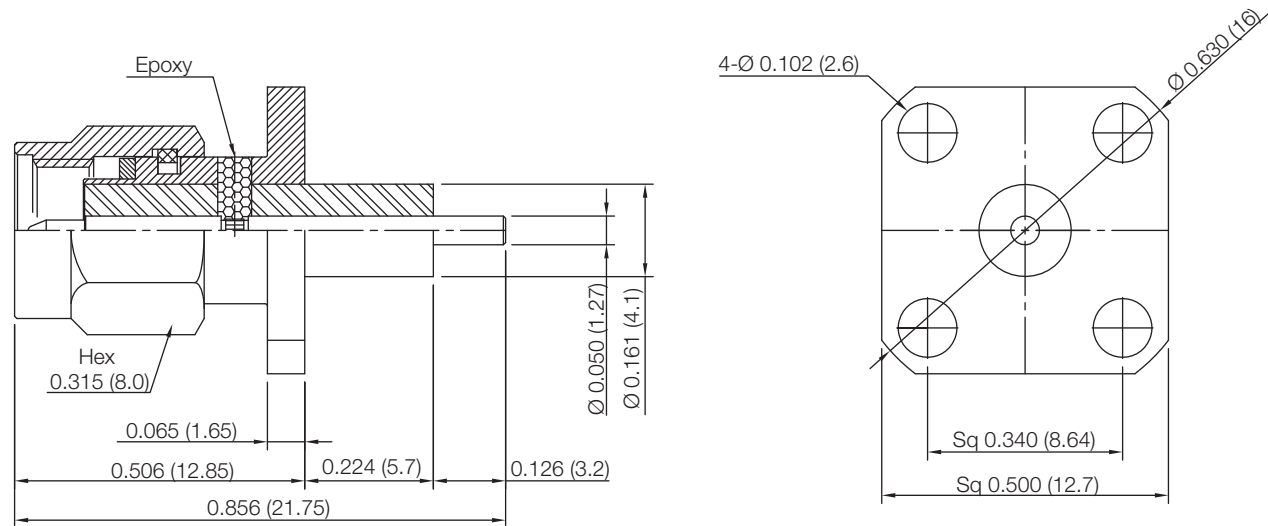
DATE

COMMENTS

INITIAL

Electrical DataImpedance 50 Ω **Standards**

Interface Per MIL-STD-348

RoHS Compliant

Drawing not to scale. Dimensions for reference only

Units: inches (mm)

Konnect RFWWW.KONNECTRF.COM
1-800-790-5887

PART NUMBER

KCC179766

DESCRIPTION

**SMA Straight Male Plug Receptacle, 4 Hole Flange Mount,
Extended Teflon, Blunt Post, Epoxy Captivated**

CAGE CODE

664U0

SIGNATURE

X

THIS DRAWING INCLUDING THE
DESIGNS IS THE PROPERTY OF
KONNECT RF AND IS NOT TO
BE USED FOR ANY PURPOSE
WITHOUT OUR APPROVAL.**Component**Body & Coupling Nut
Center Contact
Insulator**Material**Stainless Steel
Brass
PTFE**Plating/Finish**Passivated
Gold