

PART NUMBER

KCC179409

REV.

DATE

COMMENTS

INITIAL

Electrical Data

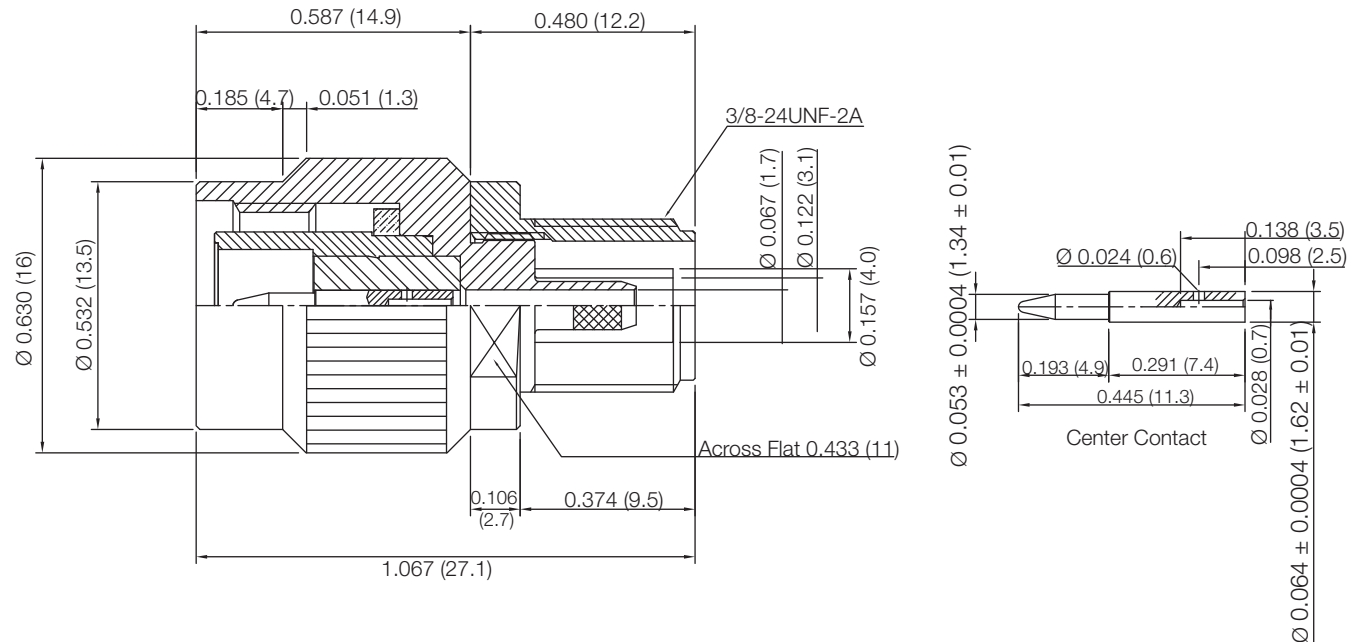
Impedance	50 Ω
Frequency Range	DC - 4 GHz.
Contact Current	DC 3.5A Max.
Voltage Rating	250 VRMS
Contact Resistance	
Center	≤ 2.0 mΩ
Outer	≤ 0.2 mΩ
Insulation Resistance	≥ 5,000 MΩ min
VSWR	≤ 1.20

Mechanical Data

Temperature Range: -65 °C - 165 °C

Standards

Waterproof O-Ring Seal IP67

RoHS Compliant

VSWR and Frequency Range Specifications are for reference and are dependant on cable type and other application specific conditions

Drawing not to scale. Dimensions for reference only

Units: inches (mm)

Konnect RF

WWW.KONNECTRF.COM
1-800-790-5887

PART NUMBER

KCC179409

DESCRIPTION

TNC Straight Male Plug, Crimp

CAGE CODE

664U0

SIGNATURE

X

THIS DRAWING INCLUDING THE DESIGNS IS THE PROPERTY OF KONNECT RF AND IS NOT TO BE USED FOR ANY PURPOSE WITHOUT OUR APPROVAL.

Cable Types: RG-316**Component**

Body & Bushing
Center Contact
Outer Contact
Ferrule
Gasket
Insulator

Material

Brass
Brass
Brass
Brass
Silicone Rubber
PTFE

Plating

Black Chrome
Gold
Nickel
Nickel