

PART NUMBER

KCC179401

REV.

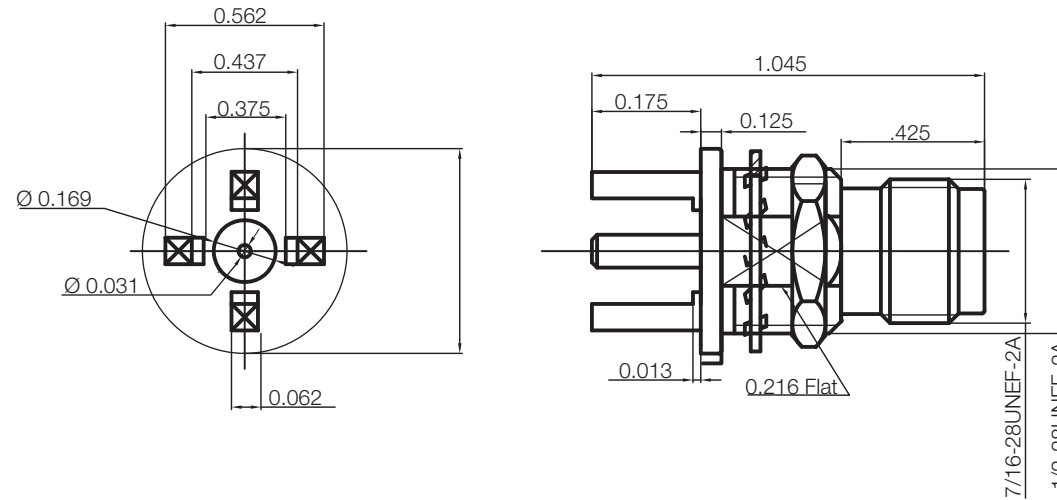
DATE

COMMENTS

INITIAL

Electrical DataImpedance 75 Ω **Mechanical Data**

Temperature Range: -65 °C - 165°C

RoHS Compliant

Drawing not to scale. Dimensions for reference only

Units: inches

Konnect RFWWW.KONNECTRF.COM
1-800-790-5887

PART NUMBER

KCC179401

DESCRIPTION

**TNC Straight Female Jack 4 Leg Standoff
PC Board Receptacle, Bulkhead**

CAGE CODE

664U0

SIGNATURE

X

THIS DRAWING INCLUDING THE
DESIGNS IS THE PROPERTY OF
KONNECT RF AND IS NOT TO
BE USED FOR ANY PURPOSE
WITHOUT OUR APPROVAL.**Component**
Body
Center Contact
Insulator**Material**
Brass
BeCu
PTFE**Plating**
Nickel
Gold