

PART NUMBER

**KCC179370**

REV.

DATE

COMMENTS

INITIAL

**Electrical Data**

Impedance 50 Ω  
 Frequency Range DC - 18 GHz.  
 Contact Current DC-2.0A Max  
 Working Voltage Semi Rigid Cable 1,000V  
 Flexible Cable 750V

Contact Resistance  
 Center Contacts 3.0mΩ  
 Outer Contacts 2.5Ω  
 Insulation Resistance 5,000 MΩ  
 Insertion Loss 0.05√ f(GHz)dB

Dielectric Withstanding Voltage 1,000 VRMS  
 VSWR ≤1.15 +0.02f(GHz)  
 RF Leakage -60dBm min between 2-3GHz

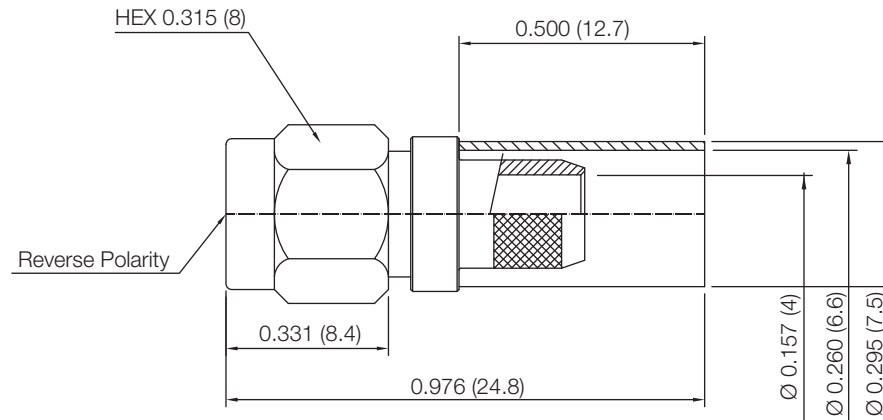
**Mechanical Data**

Coupling Nut Torque 12Ncm-140Ncm  
 Coupling Nut Retention Force ≥200N  
 Life 500 matings  
 Contact Captivation ≥27N

**VSWR and Frequency Range Specifications  
 are for reference and are dependant on cable  
 type and other application specific conditions**

Drawing not to scale. Dimensions for reference only

Units: inches (mm)

**RoHS Compliant****Konnect RF**

WWW.KONNECTRF.COM  
 1-800-790-5887

PART NUMBER

**KCC179370**

DESCRIPTION

**SMA Straight Male Plug Reverse Polarity, Crimp**

CAGE CODE

**664U0**

SIGNATURE

X

**Cable Type:** LMR-240, RG-8**Component**

Body, Nut, & Ferrule  
 Center Contact  
 Insulator

**Material**

Brass  
 BeCu  
 PTFE

**Plating**

Gold  
 Gold

THIS DRAWING INCLUDING THE  
 DESIGNS IS THE PROPERTY OF  
 KONNECT RF AND IS NOT TO  
 BE USED FOR ANY PURPOSE  
 WITHOUT OUR APPROVAL.