

PART NUMBER

KCC179368

REV.

DATE

COMMENTS

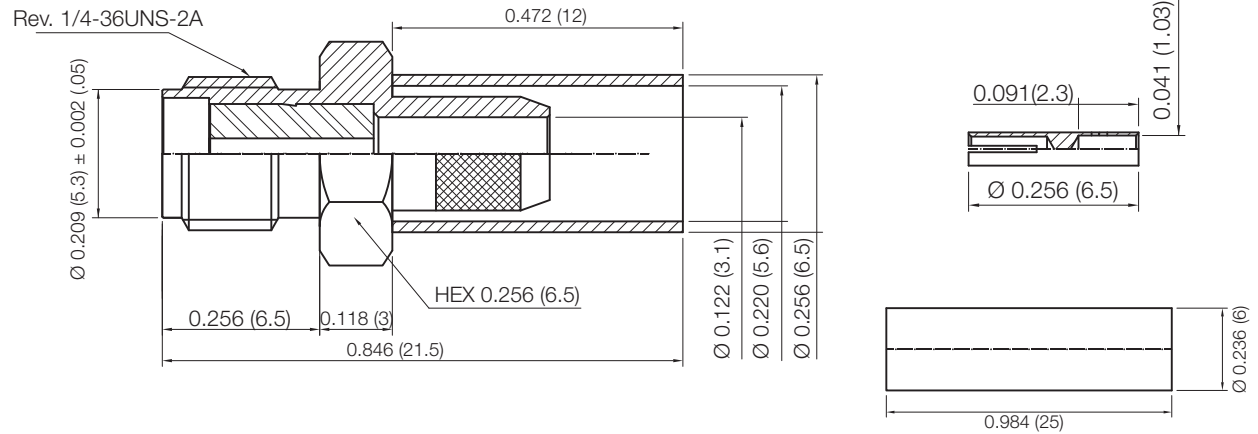
INITIAL

Electrical Data

| | |
|---------------------------------|------------------------|
| Impedance | 50 Ω |
| Working Voltage Rating | 250 VRMS |
| Insulation Resistance | 5,000 M Ω |
| Dielectric Withstanding Voltage | 750 VRMS |
| VSWR | 1.2:1 |
| Frequency Range: | Per Cable Per MIL-C-17 |

Mechanical Data

| | |
|--------------------|-----------------|
| Durability | 500 Cycles Min. |
| Temperature Range: | -45 °C - 155 °C |

RoHS Compliant

VSWR and Frequency Range Specifications are for reference and are dependant on cable type and other application specific conditions

Drawing not to scale. Dimensions for reference only

Units: inches (mm)

WWW.KONNECTRF.COM
1-800-790-5887

PART NUMBER

KCC179368

DESCRIPTION

SMA Straight Female Jack, Crimp

CAGE CODE

664U0

SIGNATURE

X**Cable Types:** RG-400

THIS DRAWING INCLUDING THE DESIGNS IS THE PROPERTY OF KONNECT RF AND IS NOT TO BE USED FOR ANY PURPOSE WITHOUT OUR APPROVAL.

Component

Body, Ferrule
Center Contact
Insulator

Material

Brass
BeCu
PTFE

Plating

Gold
Gold