

PART NUMBER

KCC179361

REV.

DATE

COMMENTS

INITIAL

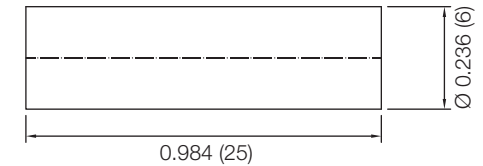
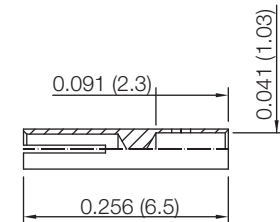
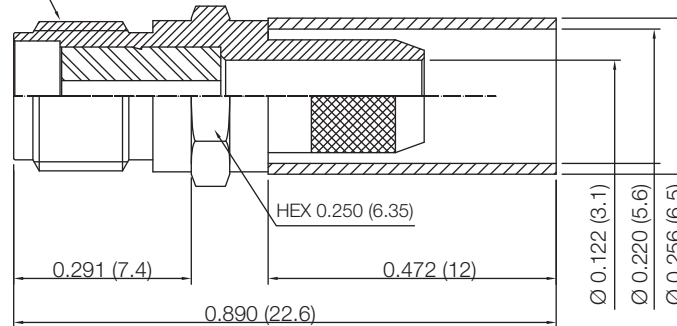
Electrical Data

Impedance 50 Ω
 Working Voltage Rating 250 VRMS
 Dielectric Withstanding Voltage 750 VRMS
 Insulation Resistance $\geq 5000 M\Omega$
 VSWR 1.2:1 Max
 Frequency Range: Per Cable Per MIL-C-17

RoHS Compliant**Mechanical Data**

Durability 500 Cycles Min.
 Temperature Range: -45 °C - 155 °C

1/4-36UNS-2A



Black Heat shrink tube

**VSWR and Frequency Range Specifications
 are for reference and are dependant on cable
 type and other application specific conditions**

Drawing not to scale. Dimensions for reference only

Units: inches (mm)

Konnect RF

WWW.KONNECTRF.COM
 1-800-790-5887

PART NUMBER

KCC179361

DESCRIPTION

SMA Straight Female Jack, Crimp

CAGE CODE

664U0

SIGNATURE

X

Cable Types: RG-400

THIS DRAWING INCLUDING THE
 DESIGNS IS THE PROPERTY OF
 KONNECT RF AND IS NOT TO
 BE USED FOR ANY PURPOSE
 WITHOUT OUR APPROVAL.

Component

Body
 Center Contact
 Ferrule
 Insulator

Material

Stainless Steel
 BeCu
 Brass
 PTFE

Plating/Finish

Passivated
 Gold
 Nickel