

PART NUMBER

KCC179320

REV.

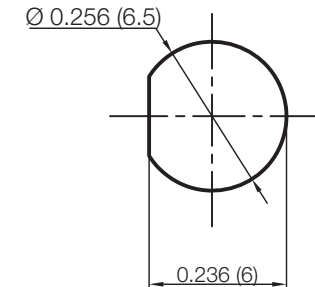
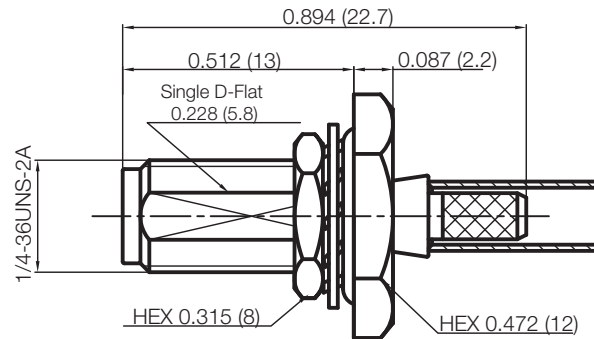
DATE

COMMENTS

INITIAL

Electrical DataImpedance 50 Ω **RoHS Compliant****Mechanical Data**

Durability 500 Cycles Min.



Recommended Mounting Hole Dimensions

Drawing not to scale. Dimensions for reference only

Units: inches (mm)

Konnect RFWWW.KONNECTRF.COM
1-800-790-5887

PART NUMBER

KCC179320

DESCRIPTION

SMA Straight Female Jack, Bulkhead Rear Mount, Crimp, O-Ring Seal

CAGE CODE

664U0

SIGNATURE

X

Cable Types: RG-316**Component**Body
Center Contact
Insulator**Material**Brass
BeCu
PTFE**Plating**Gold
GoldTHIS DRAWING INCLUDING THE
DESIGNS IS THE PROPERTY OF
KONNECT RF AND IS NOT TO
BE USED FOR ANY PURPOSE
WITHOUT OUR APPROVAL.