

PART NUMBER

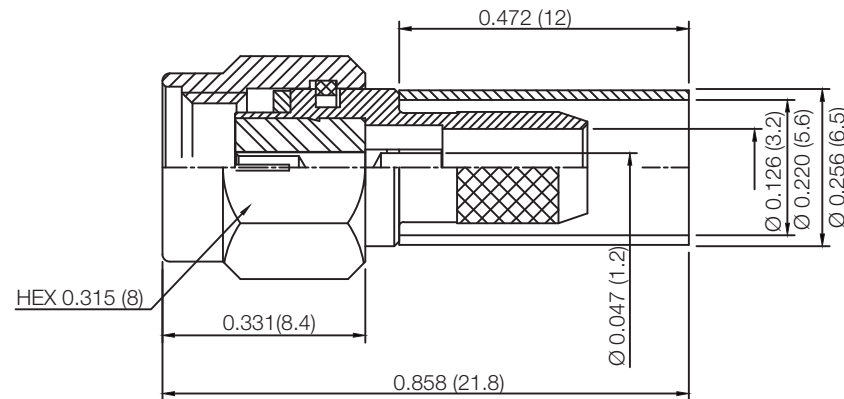
**KCC179309**

REV.

DATE

COMMENTS

INITIAL

**Electrical Data**Impedance 50  $\Omega$ **RoHS Compliant**

Drawing not to scale. Dimensions for reference only

Units: inches (mm)

**Konnect RF**WWW.KONNECTRF.COM  
1-800-790-5887

PART NUMBER

**KCC179309**

DESCRIPTION

**SMA Straight Male Plug Reverse Polarity, Crimp**

CAGE CODE

**664U0**

SIGNATURE

X

**Cable Types:** LMR-200

THIS DRAWING INCLUDING THE DESIGNS IS THE PROPERTY OF KONNECT RF AND IS NOT TO BE USED FOR ANY PURPOSE WITHOUT OUR APPROVAL.

**Component**

Body & Nut  
Center Contact  
Ferrule  
Insulator

**Material**

Brass  
BeCu  
Brass  
PTFE

**Plating**

Gold  
Gold  
Gold