

PART NUMBER

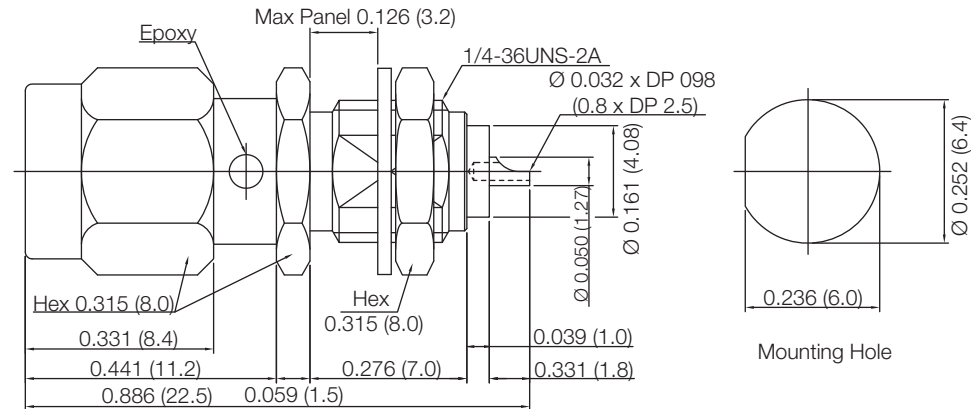
KCC179295

REV.

DATE

COMMENTS

INITIAL

Electrical DataImpedance 50 Ω **RoHS Compliant**

Drawing not to scale. Dimensions for reference only

Units: inches (mm)

Konnect RFWWW.KONNECTRF.COM
1-800-790-5887

PART NUMBER

KCC179295

DESCRIPTION

**SMA Straight Male Plug Receptacle, Bulkhead
Front Mount, Solder Pot, Epoxy Captivated**

CAGE CODE

664U0

SIGNATURE

X

THIS DRAWING INCLUDING THE
DESIGNS IS THE PROPERTY OF
KONNECT RF AND IS NOT TO
BE USED FOR ANY PURPOSE
WITHOUT OUR APPROVAL.**Component**Body & Coupling
Center Contact
Insulator**Material**Stainless Steel
Brass
PTFE**Plating/Finish**Passivated
Gold