

PART NUMBER

KCC179276

REV.

DATE

COMMENTS

INITIAL

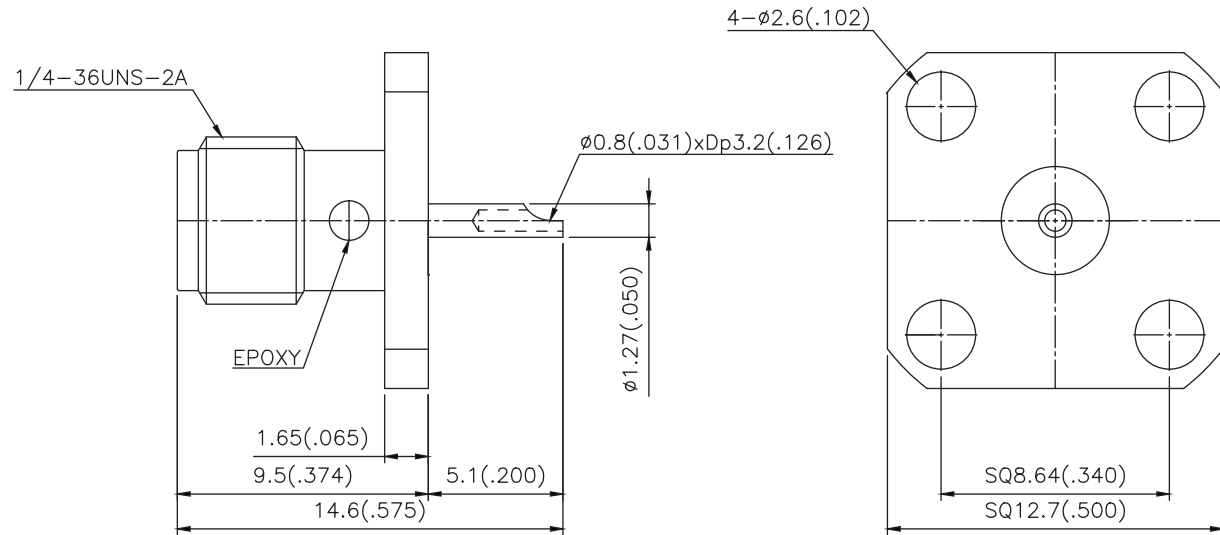
Electrical Data

Impedance 50 Ω
 Frequency Range DC-18 GHz
 Voltage Rating 500 VRMS
 Dielectric Withstanding Voltage 1,500 VRMS

RoHS Compliant

Mechanical Data

Durability 500 Cycles
 Contact Retention 6 lbs
 Temperature Range: -50 °C - 125 °C



Drawing not to scale. Dimensions for reference only

Units: mm (inches)

Konnect RF

WWW.KONNECTRF.COM
 1-800-790-5887

PART NUMBER

KCC179276

DESCRIPTION

**SMA Straight Female Jack Receptacle, 4 Hole Flange
 Mount, Solder Pot, PSS, Epoxy Captivated**

CAGE CODE

664U0

SIGNATURE

X

THIS DRAWING INCLUDING THE
 DESIGNS IS THE PROPERTY OF
 KONNECT RF AND IS NOT TO
 BE USED FOR ANY PURPOSE
 WITHOUT OUR APPROVAL.

Component

Body
 Center Contact
 Insulator

Material

Stainless Steel
 BeCu
 PTFE

Plating/Finish

Passivated
 Gold