

PART NUMBER

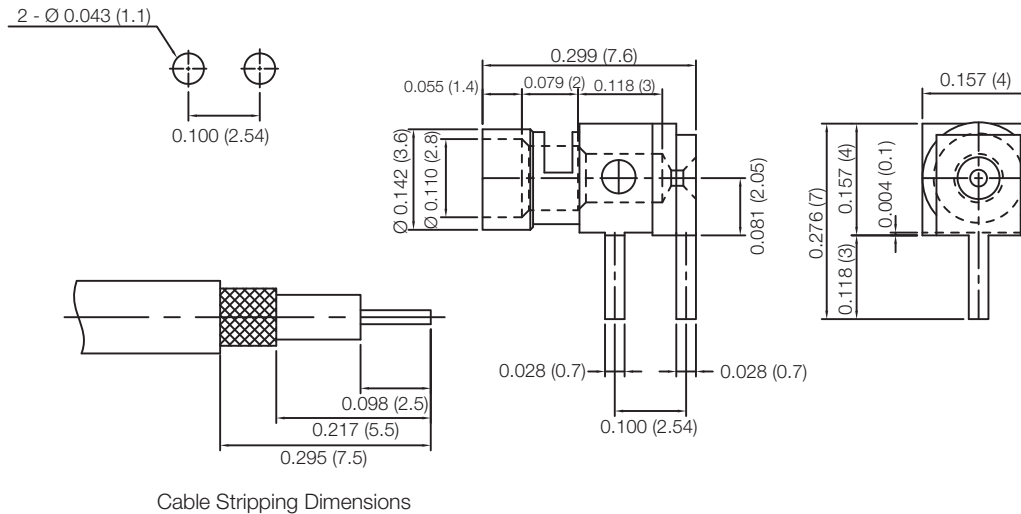
KCC179244

REV.

DATE

COMMENTS

INITIAL

RoHS Compliant

Drawing not to scale. Dimensions for reference only

Units: inches (mm)

Konnect RF

WWW.KONNECTRF.COM
1-800-790-5887

PART NUMBER

KCC179244

DESCRIPTION

Cable Termination, Right Angle, 4 Leg Standoff PC Board, Solder

CAGE CODE

664U0

SIGNATURE

X

THIS DRAWING INCLUDING THE
DESIGNS IS THE PROPERTY OF
KONNECT RF AND IS NOT TO
BE USED FOR ANY PURPOSE
WITHOUT OUR APPROVAL.

ComponentBody
Insulator**Material**Brass
PTFE**Plating**

Gold