

PART NUMBER

KCC179135

REV.

DATE

COMMENTS

INITIAL

A

01-07-15

Updated Electrical Specs.

B

2-19-18

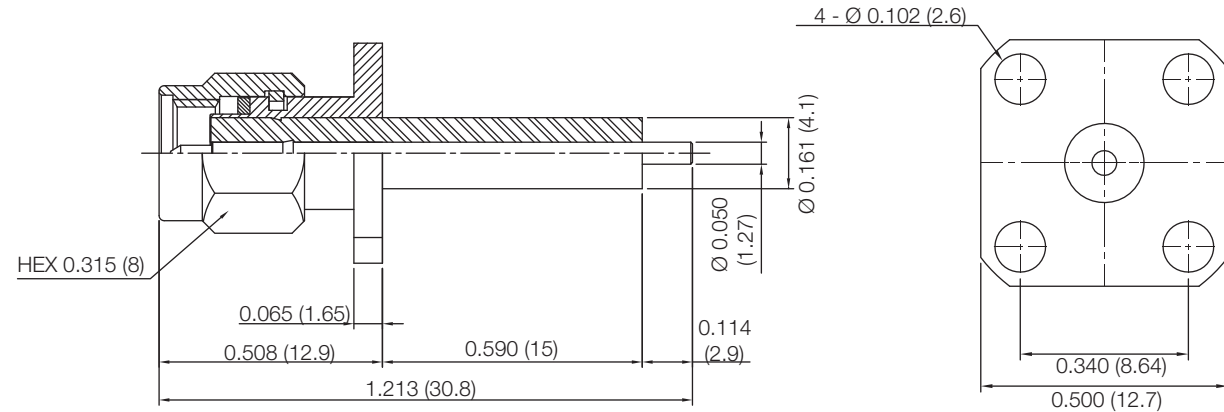
Added Plating Thickness Specs.

Electrical Data

Impedance 50 Ω
 Frequency Range DC-18 GHz
 Voltage Rating 500 Max
 Dielectric Withstanding Voltage 750 VRMS
 Insulation Resistance 5,000 m Ω
 VSWR 1.25 max @ 18 GHz

Mechanical Data

Temperature Range: -65 °C - 165 °C

RoHS Compliant

Drawing not to scale. Dimensions for reference only

Units: inches (mm)

Konnect RF

WWW.KONNECTRF.COM
 1-800-790-5887

PART NUMBER

KCC179135

DESCRIPTION

SMA Straight Male Plug Receptacle, 4 Hole Flange Mount, Extended Teflon, Blunt Post

CAGE CODE

664U0

SIGNATURE

X

Component
 Body & Nut

Center Contact

Insulator

Material

Brass
 per QQ-B-626
 Brass
 per QQ-C-530
 PTFE fluorocarbon
 per ASTM D 1710
 and ASTM D 1457

Plating

Gold 0.04-0.06 μ m min per MIL-G-45204
 Nickel plated 2-4 μ m per QQ-N-290
 Gold 0.04-0.06 μ m min per MIL-G-45204
 Nickel Plated 2-4 μ m per QQ-N290

THIS DRAWING INCLUDING THE
 DESIGNS IS THE PROPERTY OF
 KONNECT RF AND IS NOT TO
 BE USED FOR ANY PURPOSE
 WITHOUT OUR APPROVAL.