

PART NUMBER

**KCC179111**

REV.

A

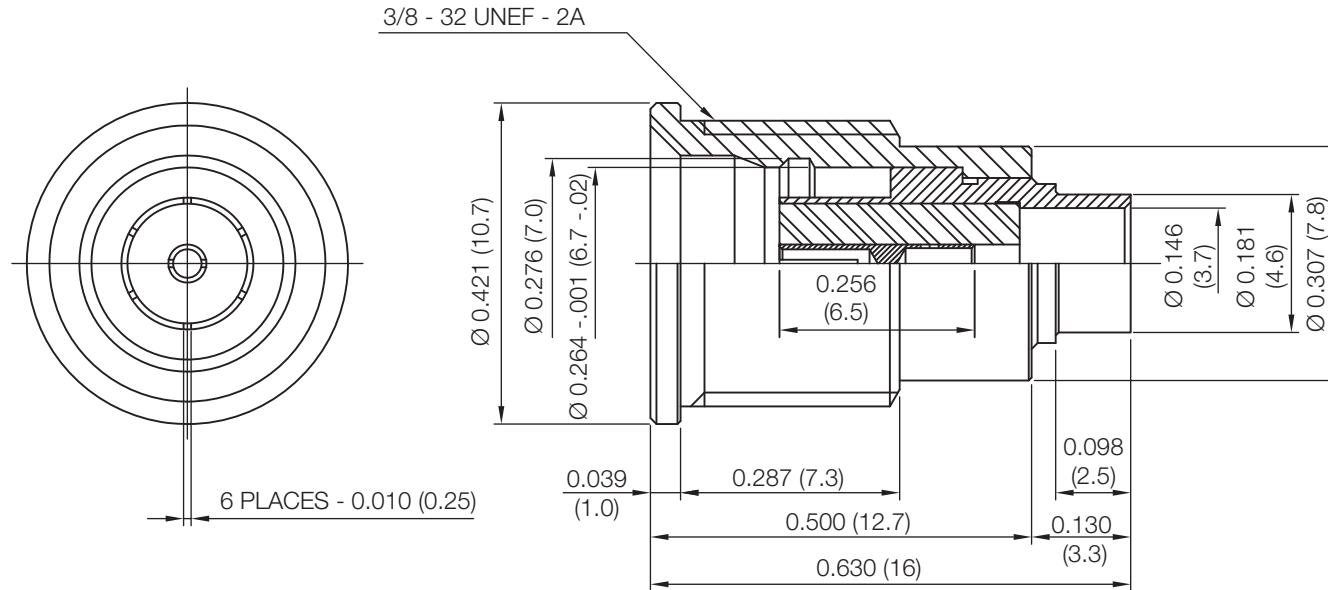
DATE

2-21-2013

COMMENTS

Changed Inner Bore Dimension

INITIAL

*MP***RoHS Compliant****CUSTOMER APPROVAL**

SIGNATURE: \_\_\_\_\_

DATE: \_\_\_\_\_

PRINT NAME: \_\_\_\_\_

TITLE: \_\_\_\_\_

Units: inches (mm)

**Konnnect RF**WWW.KONNECTRF.COM  
1-800-790-5887

PART NUMBER

**KCC179111**

DESCRIPTION

**CUSTOM CONNECTOR PER CUSTOMER SAMPLE**

CAGE CODE

**664U0**

SIGNATURE

X *MP*

THIS DRAWING INCLUDING THE  
DESIGNS IS THE PROPERTY OF  
KONNECT RF AND IS NOT TO  
BE USED FOR ANY PURPOSE  
WITHOUT OUR APPROVAL.

**Component**  
Body  
Center Contact  
Insulator

**Material**  
Brass  
BeCu  
PTFE

**Plating**  
Nickel  
Gold