

PART NUMBER

KCC179025

REV.

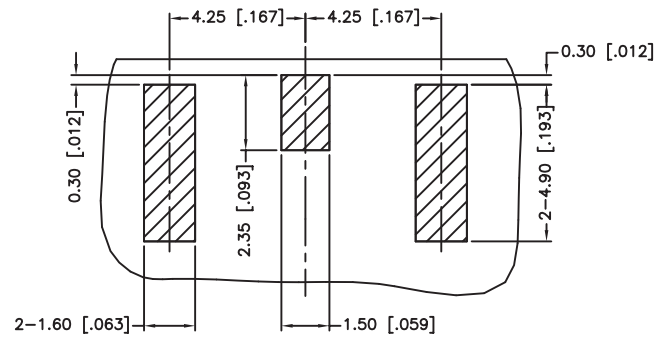
INITIAL

Electrical Data

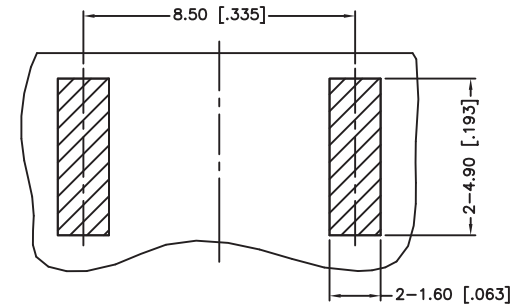
Impedance 50 Ω
 Frequency Range DC - 18 GHz
 Dielectric Withstanding Volts 1,000 Min.

RoHS Compliant**Mechanical Data**

Durability 500 Cycles Min.
 Contact Retention
 Axial 4 in-oz.
 Radial 6 lbs.
 Board Thickness: .062" (1.57 mm)
 Bottom of contact in line with mounting leg within .010"

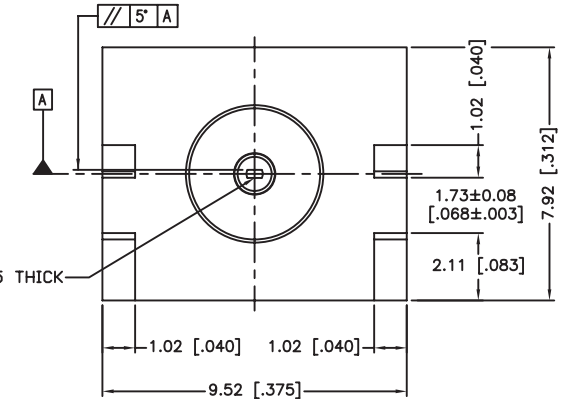
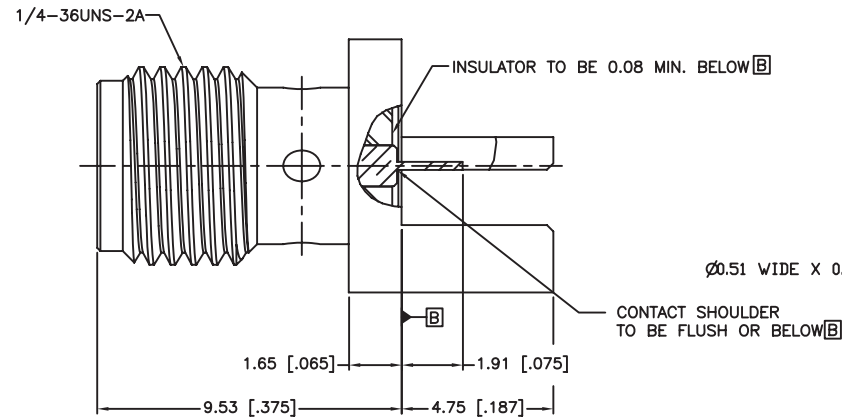


TOP VIEW



BOTTOM VIEW

RECOMMENDED PCB LAYOUT



Drawing not to scale. Dimensions for reference only

Units: mm (Inches)

Konnnect RF

WWW.KONNECTRF.COM
 1-800-790-5887

PART NUMBER

KCC179025

DESCRIPTION

**SMA Straight Female Jack Edge Mount
PC Board Receptacle, (0.062" Board), Tab Contact**

CAGE CODE

664U0

SIGNATURE

X

THIS DRAWING INCLUDING THE
 DESIGNS IS THE PROPERTY OF
 KONNECT RF AND IS NOT TO
 BE USED FOR ANY PURPOSE
 WITHOUT OUR APPROVAL.

Component

Body
 Center Contact

Material

Brass
 Be.Cu

Plating

Gold
 Gold