

PART NUMBER

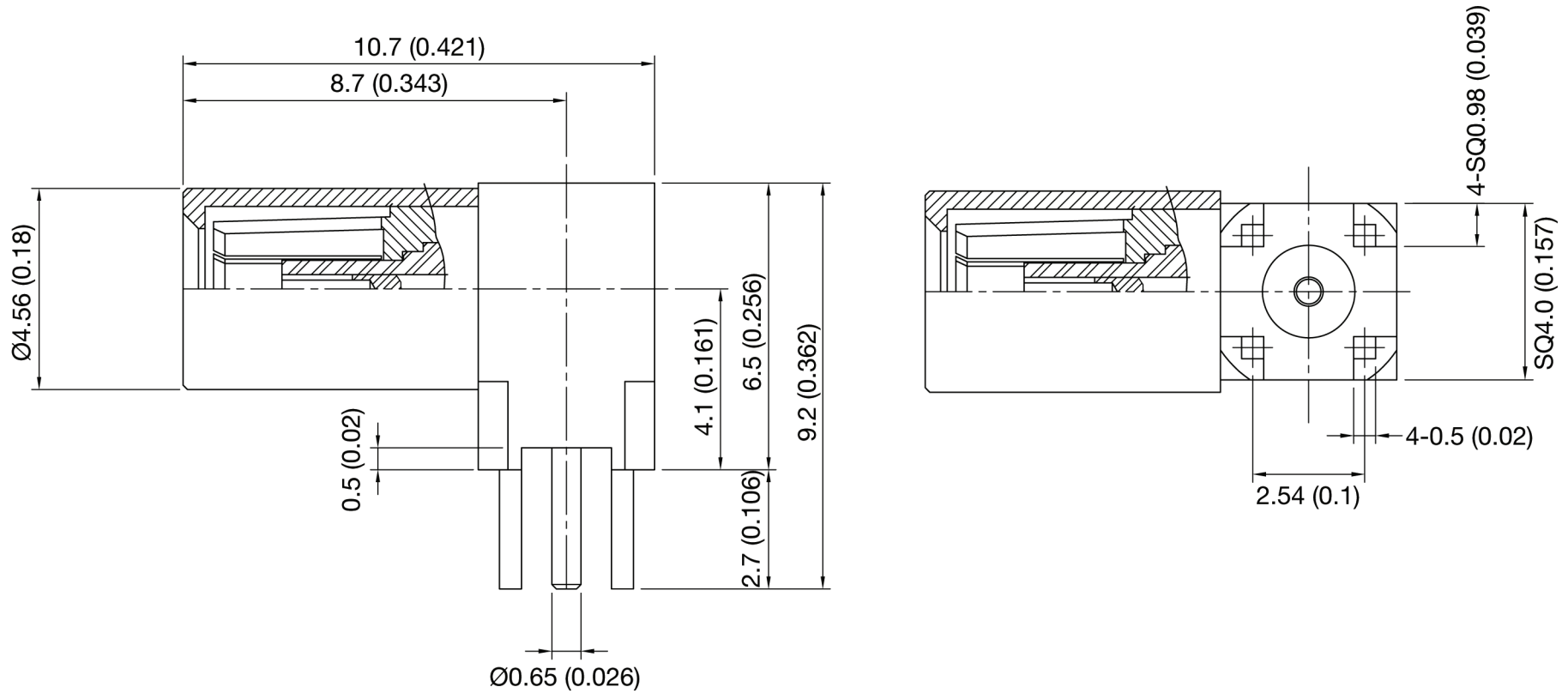
KCC179002

REV.

DATE

DESC.

INITIAL



540 NW University Blvd. Ste. 109
Port Saint Lucie, Florida, 34986
1-800-790-5887

PART NUMBER

KCC179002

DESCRIPTION

**SSLB Right Angle Female Plug
PC Board Receptacle - 4-Leg Standoff**

CAGE CODE

664U0

SIGNATURE

X

THIS DRAWING INCLUDING THE
DESIGNS IS THE PROPERTY OF
KONNECT RF AND IS NOT TO
BE USED FOR ANY PURPOSE
WITHOUT OUR APPROVAL.

Materials

Body / Cap	Brass	Gold Plated
Outer Contact	Be-Cu	Gold Plated
Center Contact	Be-Cu	Gold Plated
Insulator	PTFE	