

PART NUMBER

KCC179001

REV.

DATE

COMMENTS

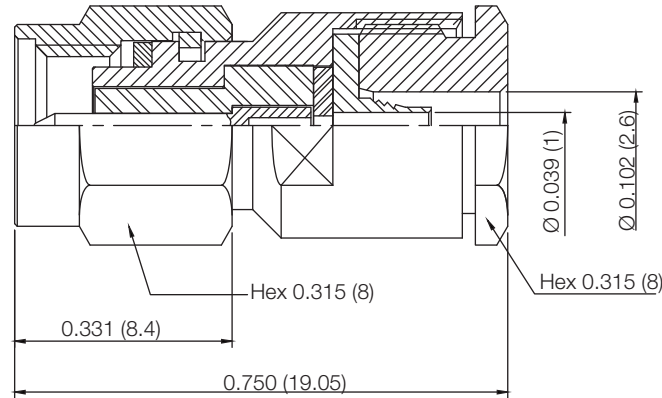
INITIAL

Electrical Data

Impedance 50 Ω
 Frequency Range DC - 12.4 GHz.
 Insulation Resistance 5,000 M Ω

Mechanical Data

Temperature Range: -55 °C - 155 °C

RoHS Compliant

Drawing not to scale. Dimensions for reference only

Units: inches (mm)

Konnect RF

WWW.KONNECTRF.COM
 1-800-790-5887

PART NUMBER

KCC179001

DESCRIPTION

SMA Straight Male Plug, Clamp

CAGE CODE

664U0

SIGNATURE

X

THIS DRAWING INCLUDING THE
 DESIGNS IS THE PROPERTY OF
 KONNECT RF AND IS NOT TO
 BE USED FOR ANY PURPOSE
 WITHOUT OUR APPROVAL.

Cable Types: RG-178DS, 196DS

Component	Material	Plating/Finish
Body & Coupling Nut	Stainless Steel	Passivated
Coupling Cap	Stainless Steel	Passivated
Center Contact	Brass	Gold
Cable Ferrule	Brass	Gold
Gasket	Silicone Rubber	
Insulator	PTFE	