

PART NUMBER

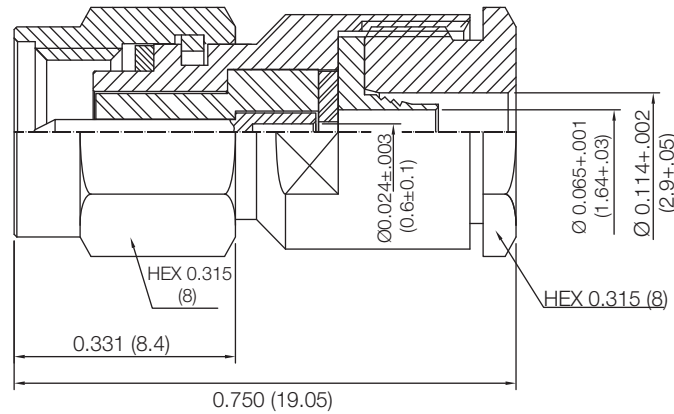
KCC178985

REV.

DATE

COMMENTS

INITIAL

RoHS Compliant**Electrical Data**Impedance 50 Ω 

Drawing not to scale. Dimensions for reference only

Units: inches (mm)

Konnnect RFWWW.KONNECTRF.COM
1-800-790-5887

PART NUMBER

KCC178985

DESCRIPTION

SMA Straight Male Plug, Clamp

CAGE CODE

664U0

SIGNATURE

X

Cable Types: RG-316THIS DRAWING INCLUDING THE
DESIGNS IS THE PROPERTY OF
KONNECT RF AND IS NOT TO
BE USED FOR ANY PURPOSE
WITHOUT OUR APPROVAL.**Component**Body, Coupling Nut, & Clamp Nut
Center Contact & Braid Clamp
Insulator
Gasket**Material**Stainless Steel
Brass
PTFE
Silicone Rubber**Plating/Finish**Passivated
Gold