

PART NUMBER

KCC178854

REV.

DATE

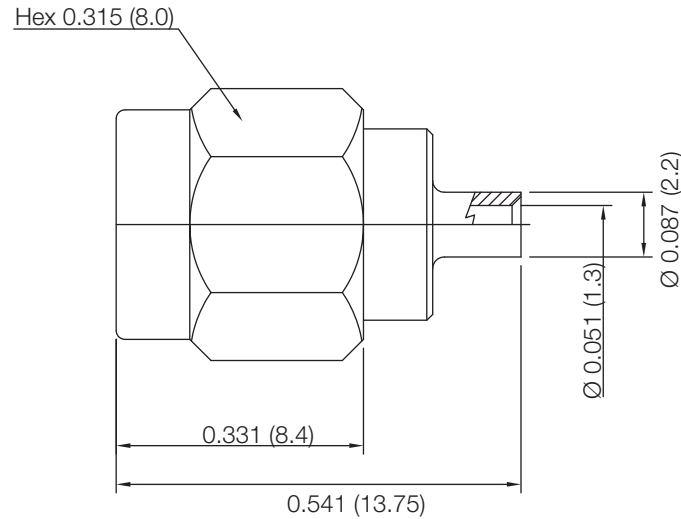
COMMENTS

INITIAL

A

10/14/2015

Updated Connector Length From 0.472" to 0.541"

*MP***Electrical Data**Impedance 50 Ω **RoHS Compliant**

Drawing not to scale. Dimensions for reference only

Units: inches (mm)

Konnect RFWWW.KONNECTRF.COM
1-800-790-5887

PART NUMBER

KCC178854

DESCRIPTION

SMA Straight Male Plug Reverse Polarity, Solder

CAGE CODE

664U0

SIGNATURE

*X*THIS DRAWING INCLUDING THE
DESIGNS IS THE PROPERTY OF
KONNECT RF AND IS NOT TO
BE USED FOR ANY PURPOSE
WITHOUT OUR APPROVAL.Cable Type: .047 SR
Component
Body & Coupling Cap
Center Contact
InsulatorMaterial
Brass
BeCu
PTFEPlating
Gold
Gold