

PART NUMBER

KCC178810

REV.

DATE

COMMENTS

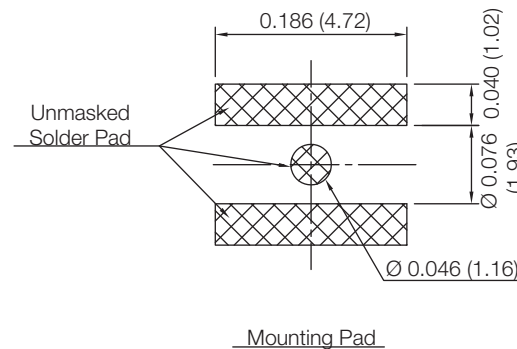
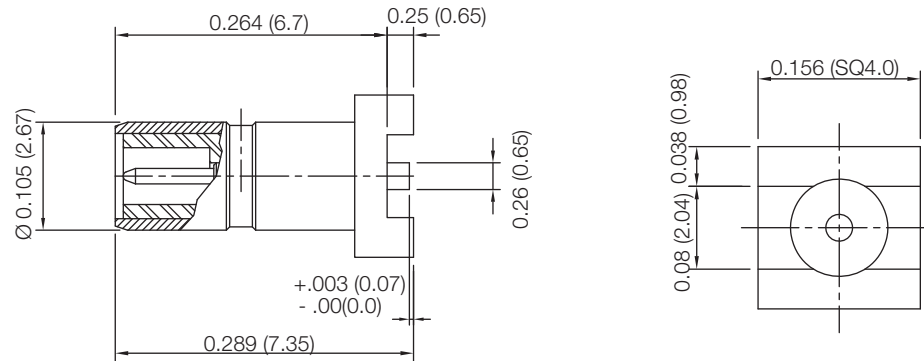
INITIAL

Electrical Data

Impedance	50 Ω
Frequency Range	DC - 12 GHz.
Working Voltage	250 VRMS max
Insulation Resistance	1,000 M Ω min
Dielectric Withstanding Voltage	750V min
VSWR	1.15 + 0.03xF(GHz)

Mechanical Data

Temperature Range: -45 °C - 125 °C

RoHS Compliant

Drawing not to scale. Dimensions for reference only

Units: inches (mm)

Konnect RFWWW.KONNECTRF.COM
1-800-790-5887

PART NUMBER

KCC178810

DESCRIPTION

SSMB Straight Male Jack Surface Mount PC Board Receptacle

CAGE CODE

664U0

SIGNATURE

X

THIS DRAWING INCLUDING THE
DESIGNS IS THE PROPERTY OF
KONNECT RF AND IS NOT TO
BE USED FOR ANY PURPOSE
WITHOUT OUR APPROVAL.**Component**Body
Center Contact
Insulator**Material**Brass
Brass
PTFE**Plating**Gold
Gold