

PART NUMBER

**KCC178698**

REV.

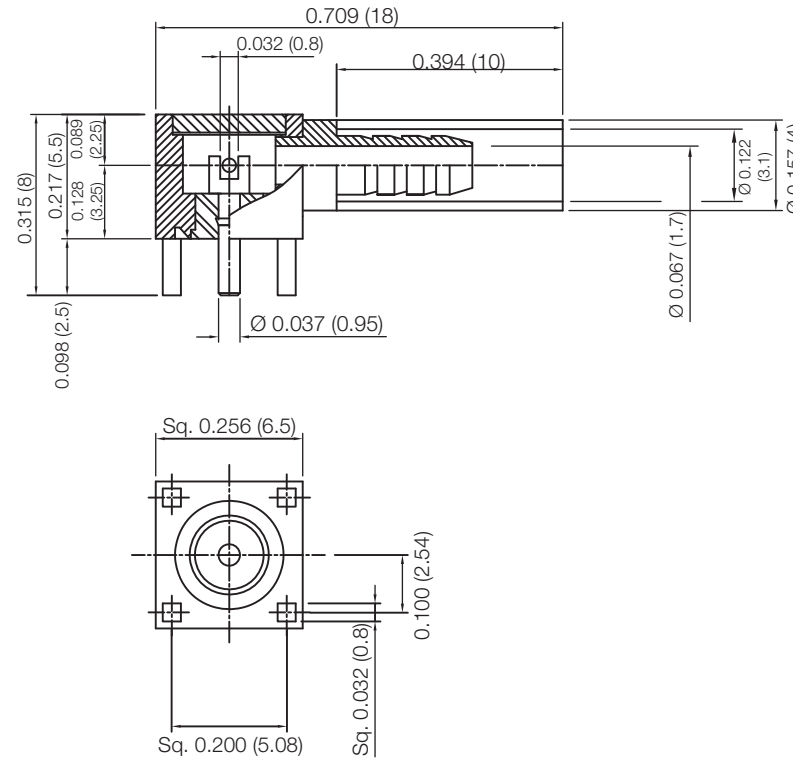
DATE

COMMENTS

INITIAL

**Electrical Data**

Impedance 50 Ω

**RoHS Compliant**

Drawing not to scale. Dimensions for reference only

Units: inches (mm)

**Konnect RF**

WWW.KONNECTRF.COM  
1-800-790-5887

PART NUMBER

**KCC178698**

DESCRIPTION

**Cable Termination, Right Angle, 4 Leg PC Board , Crimp**

CAGE CODE

**664U0**

SIGNATURE

X

**Cable Types:** RG-174, 316**Component**

Body & Ferrule  
Center Contact  
Insulator

**Material**

Brass  
Brass  
PTFE

**Plating**

Gold  
Gold

THIS DRAWING INCLUDING THE  
DESIGNS IS THE PROPERTY OF  
KONNECT RF AND IS NOT TO  
BE USED FOR ANY PURPOSE  
WITHOUT OUR APPROVAL.