

PART NUMBER

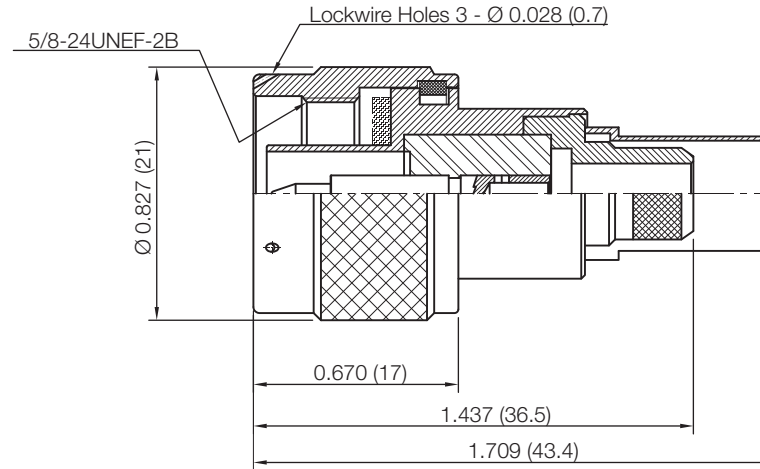
KCC178692

REV.

DATE

COMMENTS

INITIAL

Electrical DataImpedance 50 Ω **RoHS Compliant**

Drawing not to scale. Dimensions for reference only

Units: inches (mm)

Konnect RFWWW.KONNECTRF.COM
1-800-790-5887

PART NUMBER

KCC178692

DESCRIPTION

N Straight Male Plug, Knurl w/ Lockwire Holes, Crimp

CAGE CODE

664U0

SIGNATURE

X

Cable Types: S33141

ComponentBody, Nut, & Ferrule
Center Contact
Insulator**Material**Brass
Brass
PTFE**Plating**Nickel
GoldTHIS DRAWING INCLUDING THE
DESIGNS IS THE PROPERTY OF
KONNECT RF AND IS NOT TO
BE USED FOR ANY PURPOSE
WITHOUT OUR APPROVAL.