

PART NUMBER

**KCC178664**

REV.

DATE

COMMENTS

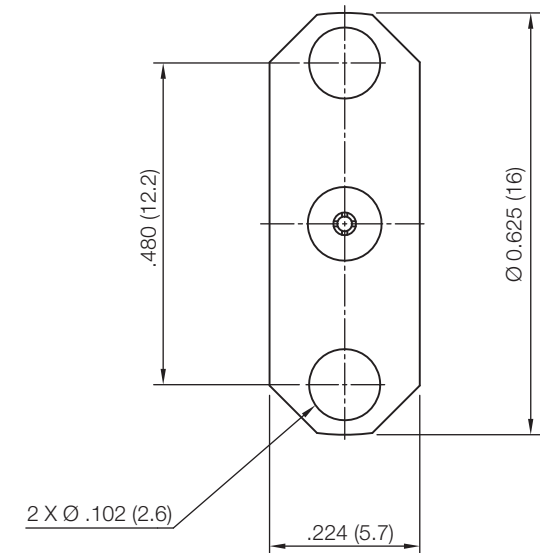
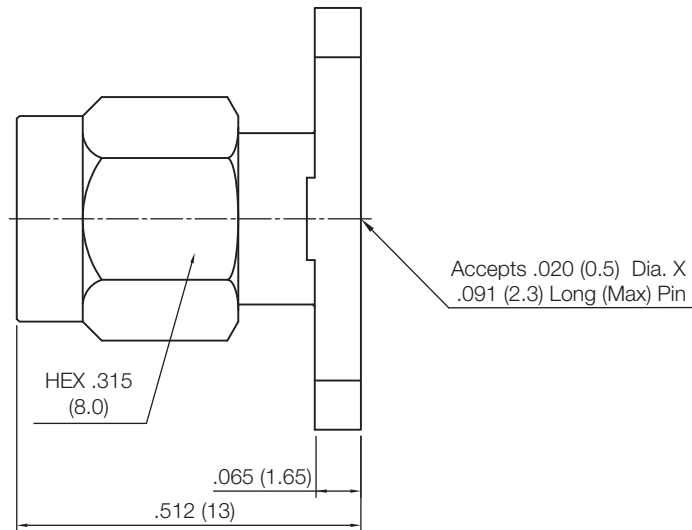
INITIAL

**Electrical Data**

Impedance 50  $\Omega$   
 Frequency Range DC - 18 GHz.  
 Insulation Withstanding Voltage 750 VRMS  
 Insulation Resistance  $\geq 5000 M\Omega$   
 VSWR  $\leq 1.23$

**RoHS Compliant****Mechanical Data**

Durability 500 Cycles Min.  
 Temperature Range: -55°C - 125 °C



Drawing not to scale. Dimensions for reference only

Units: inches (mm)

**Konnect RF**

WWW.KONNECTRF.COM  
 1-800-790-5887

PART NUMBER

**KCC178664**

DESCRIPTION

**SMA Straight Male Plug Field Replaceable Receptacle, 2 Hole Flange Mount**

CAGE CODE

**664U0**

SIGNATURE

X

THIS DRAWING INCLUDING THE  
 DESIGNS IS THE PROPERTY OF  
 KONNECT RF AND IS NOT TO  
 BE USED FOR ANY PURPOSE  
 WITHOUT OUR APPROVAL.

**Component**

Body, Coupling Nut  
 Center Contact  
 Insulator

**Material**

Stainless Steel  
 BeCu  
 PTFE

**Plating**

Passivated  
 Gold