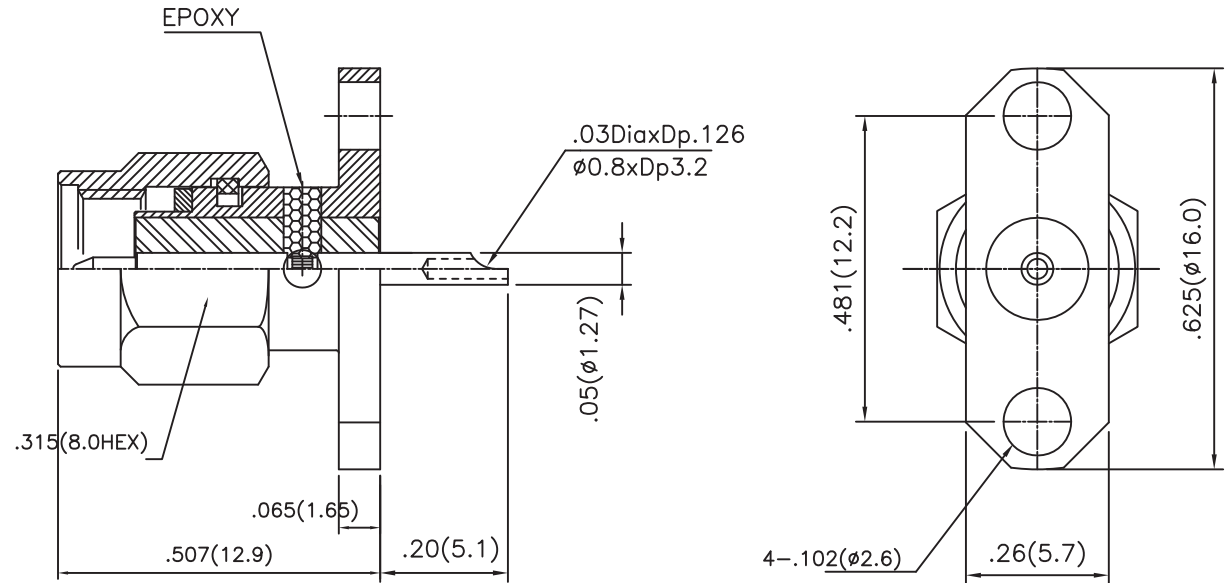


PART NUMBER

KCC178652

REV.

INITIAL

Electrical DataImpedance 50 Ω **RoHS Compliant**

VSWR and Frequency Range Specifications
are for reference and are dependant on cable
type and other application specific conditions

Drawing not to scale. Dimensions for reference only

Units: inches (mm)

WWW.KONNECTRF.COM
1-800-790-5887

PART NUMBER

KCC178652

DESCRIPTION

**SMA Straight Male Plug Receptacle,
2 Hole Flange Mount, Solder Pot**

CAGE CODE

664U0

SIGNATURE

X

THIS DRAWING INCLUDING THE
DESIGNS IS THE PROPERTY OF
KONNECT RF AND IS NOT TO
BE USED FOR ANY PURPOSE
WITHOUT OUR APPROVAL.

Component

Body & Coupling Cap
Center Contact
Insulator

Material

Stainless Steel
Brass
PTFE

Plating

Passivated
Gold