

PART NUMBER

KCC178633

REV.

DATE

COMMENTS

INITIAL

Electrical Data

Impedance	50 Ω
Frequency Range	DC - 18 GHz.
Working Voltage	335 VRMS
Insulation Resistance	$\geq 5,000 M\Omega$
Dielectric Withstanding Voltage	1,000 VRMS
VSWR	≤ 1.2 Max

Mechanical Data

Durability	500 Cycles Min.
Coupling Proof Torque	Min. 4.0 Inch-Pounds

Standards

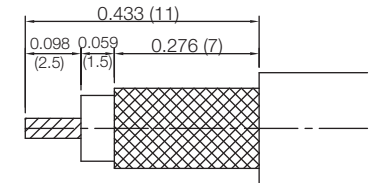
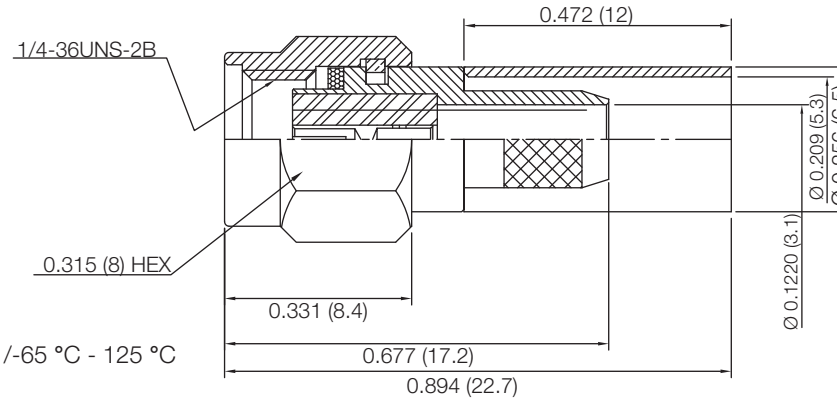
Operating and Storage Temperature Range; -45 °C - 85 °C / -65 °C - 125 °C
 Vibration test; MIL-STD-202, Method 204. Condition D
 Mechanical Shock; MIL-STD-202, Method 213, Condition I
 Moisture Resistance; MIL-STD-202, Method 106

VSWR and Frequency Range Specifications are for reference and are dependant on cable type and other application specific conditions

Drawing not to scale. Dimensions for reference only

Units: inches (mm)

** Center Contact Non-Captivated

RoHS Compliant

Recommended Stripping Dimensions
 Recommended Crimp DIES: HEX 0.217 (5.5)

WWW.KONNECTRF.COM
 1-800-790-5887

PART NUMBER

KCC178633

DESCRIPTION

SMA Straight Male Plug Reverse Polarity, Crimp

CAGE CODE

664U0

SIGNATURE

X

THIS DRAWING INCLUDING THE DESIGNS IS THE PROPERTY OF KONNECT RF AND IS NOT TO BE USED FOR ANY PURPOSE WITHOUT OUR APPROVAL.

Cable Types: RG-58**Component**

Body, Ferrule, & Nut
 Center Contact
 Insulator

Material

Brass
 BeCu
 PTFE

Plating

Gold
 Gold