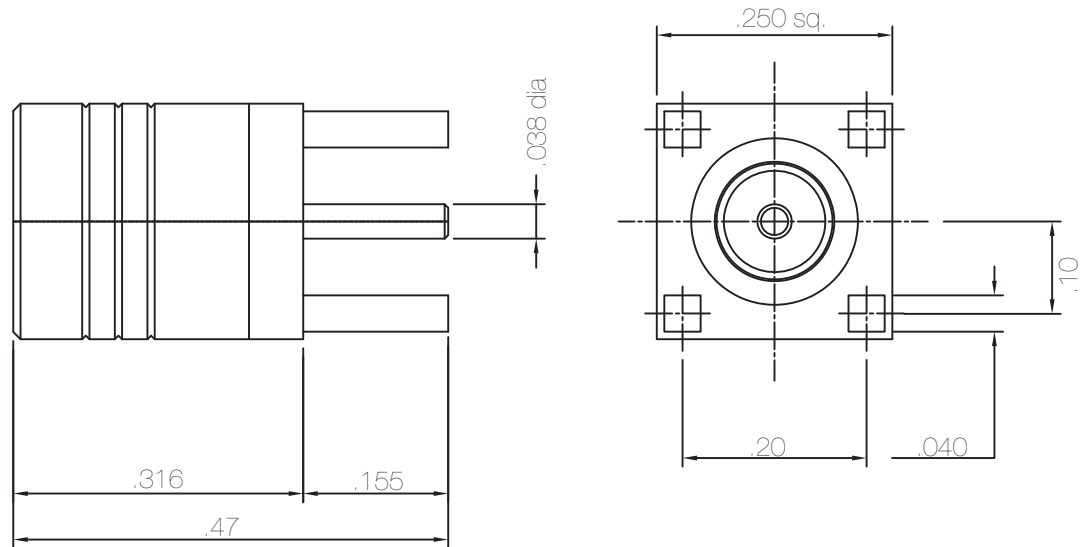


PART NUMBER

**KCC178627**

REV.

INITIAL

**Electrical Data****RoHS Compliant**Impedance 50  $\Omega$ 

Drawing not to scale. Dimensions for reference only

Units: Inches

**Konnnect RF**

WWW.KONNECTRF.COM  
1-800-790-5887

PART NUMBER

**KCC178627**

DESCRIPTION

**SMB Straight Female Plug 4 Leg PC Board Receptacle**

CAGE CODE

**664U0**

SIGNATURE

X

THIS DRAWING INCLUDING THE  
DESIGNS IS THE PROPERTY OF  
KONNECT RF AND IS NOT TO  
BE USED FOR ANY PURPOSE  
WITHOUT OUR APPROVAL.

**Component**

Body  
Center Contact  
Insulator

**Material**

Brass  
BeCu  
PTFE

**Plating**

Nickel  
Gold