

PART NUMBER

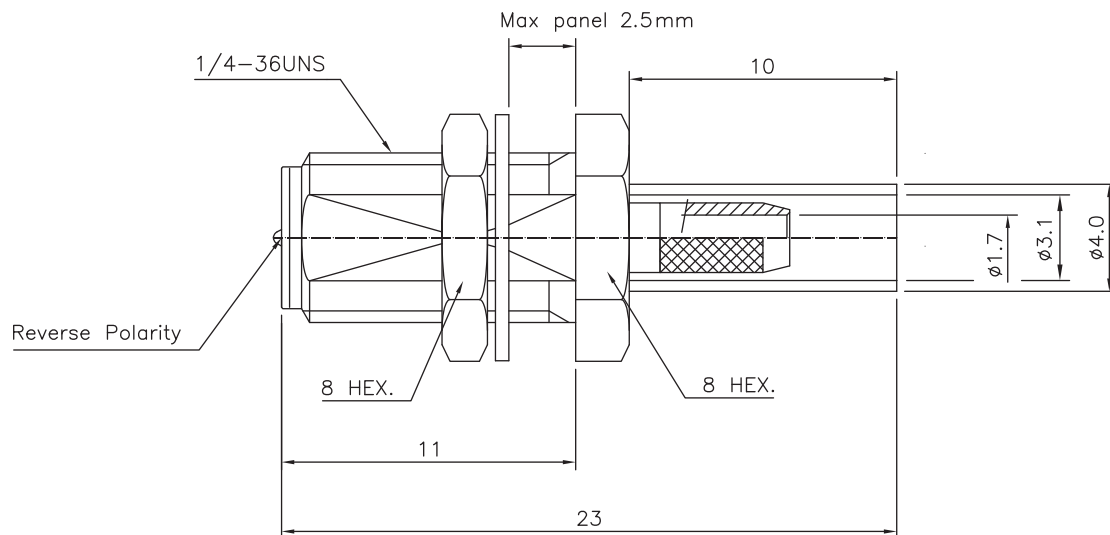
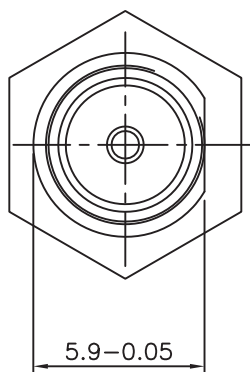
KCC178621

REV.

INITIAL

Electrical Data

Impedance

50 Ω **RoHS Compliant**

VSWR and Frequency Range Specifications
are for reference and are dependant on cable
type and other application specific conditions

Drawing not to scale. Dimensions for reference only

Units: mm

WWW.KONNECTRF.COM
1-800-790-5887

PART NUMBER KCC178621		DESCRIPTION SMA Straight Female Jack Reverse Polarity Bulkhead Rear Mount - Crimp	
CAGE CODE 664U0	SIGNATURE X	Cable Types RG 174, 316	
THIS DRAWING INCLUDING THE DESIGNS IS THE PROPERTY OF KONNECT RF AND IS NOT TO BE USED FOR ANY PURPOSE WITHOUT OUR APPROVAL.		Materials	
		Body / Nut Lock Washer Center Contact Ferrule Insulator	Brass Stainless Steel Brass Brass PTFE
		Gold Plated Gold Plated Gold Plated Gold Plated	