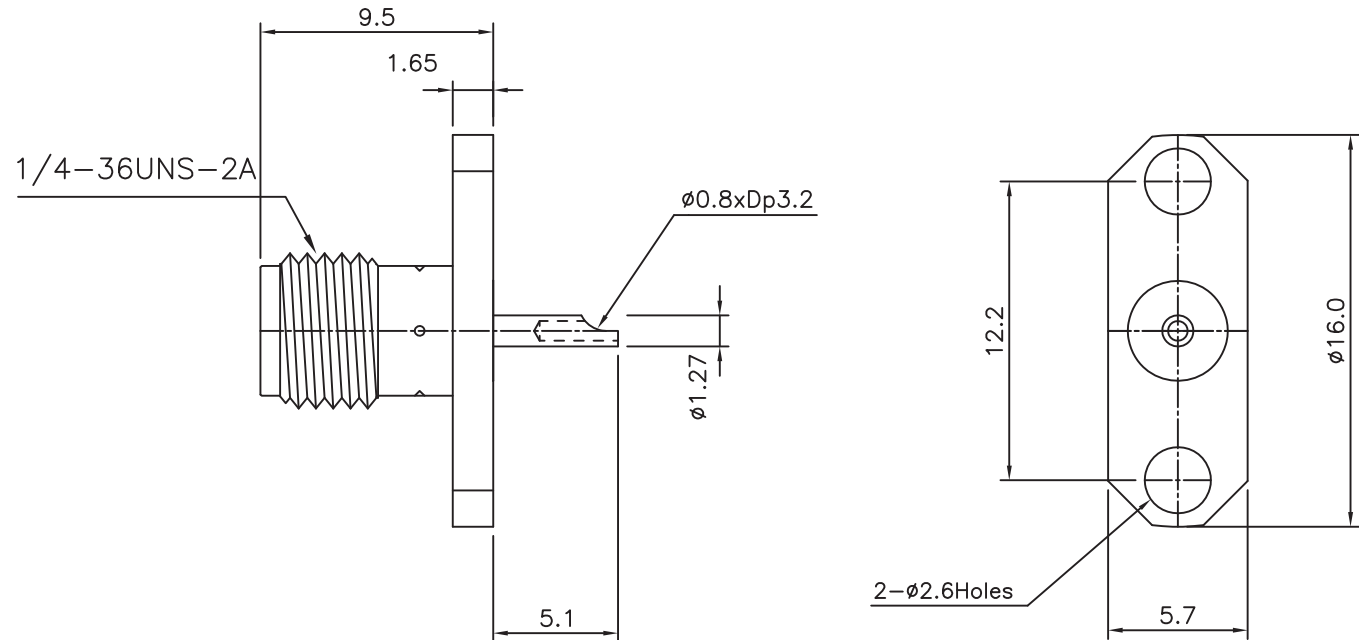


PART NUMBER

KCC178585

REV.

INITIAL

Electrical DataImpedance 50 Ω **RoHS Compliant**

Drawing not to scale. Dimensions for reference only

Units: mm

Konnnect RFWWW.KONNECTRF.COM
1-800-790-5887

PART NUMBER

KCC178585

DESCRIPTION

**SMA Straight Female Jack Receptacle,
2 Hole Flange Mount, Solder Pot**

CAGE CODE

664U0

SIGNATURE

X

THIS DRAWING INCLUDING THE
DESIGNS IS THE PROPERTY OF
KONNECT RF AND IS NOT TO
BE USED FOR ANY PURPOSE
WITHOUT OUR APPROVAL.**Component**Body
Center Contact
Insulator**Material**Stainless Steel
Be.Cu
PTFE**Plating**Gold
Gold