

PART NUMBER

KCC178448

REV.

DATE

COMMENTS

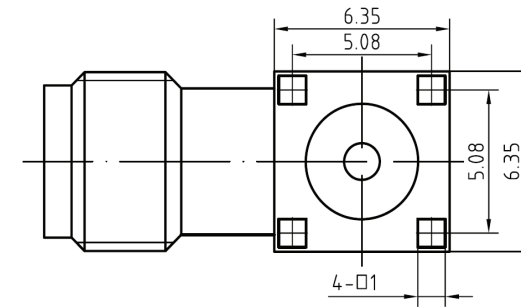
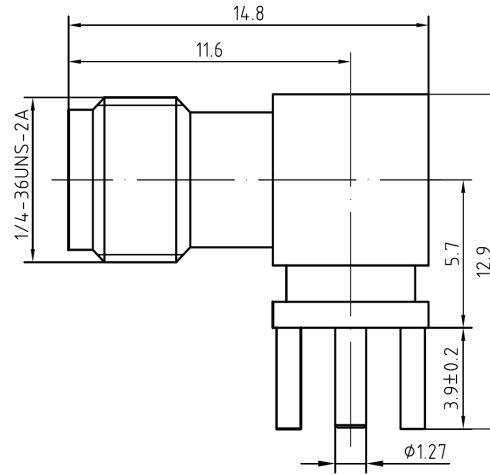
INITIAL

Electrical Data

| | |
|-----------------------|------------------|
| Impedance | 50 Ω |
| Frequency Range | DC - 18 GHz. |
| Insertion Loss | 0.25 dB |
| Test Voltage | 1,000 VRMS |
| Working Voltage | 480 VRMS |
| Insulation Resistance | 5,000 M Ω |
| VSWR | 1.35 Max |

Mechanical Data

| | |
|--------------------|-----------------|
| Durability | 500 Cycles Min. |
| Temperature Range: | -55 °C - 155 °C |

RoHS Compliant

Drawing not to scale. Dimensions for reference only

Units: mm

Konnect RF

WWW.KONNECTRF.COM
1-800-790-5887

PART NUMBER

KCC178448

DESCRIPTION

SMA Right Angle Female Jack 4 Leg PC Board Receptacle

CAGE CODE

664U0

SIGNATURE

X

THIS DRAWING INCLUDING THE
DESIGNS IS THE PROPERTY OF
KONNECT RF AND IS NOT TO
BE USED FOR ANY PURPOSE
WITHOUT OUR APPROVAL.

Component
Body
Center Contact
Insulator

Material
Brass
BeCu
PTFE

Plating
Gold
Gold