

PART NUMBER

KCC178417

REV.

A

09/27/2011

Equivalent/Specs/Dims

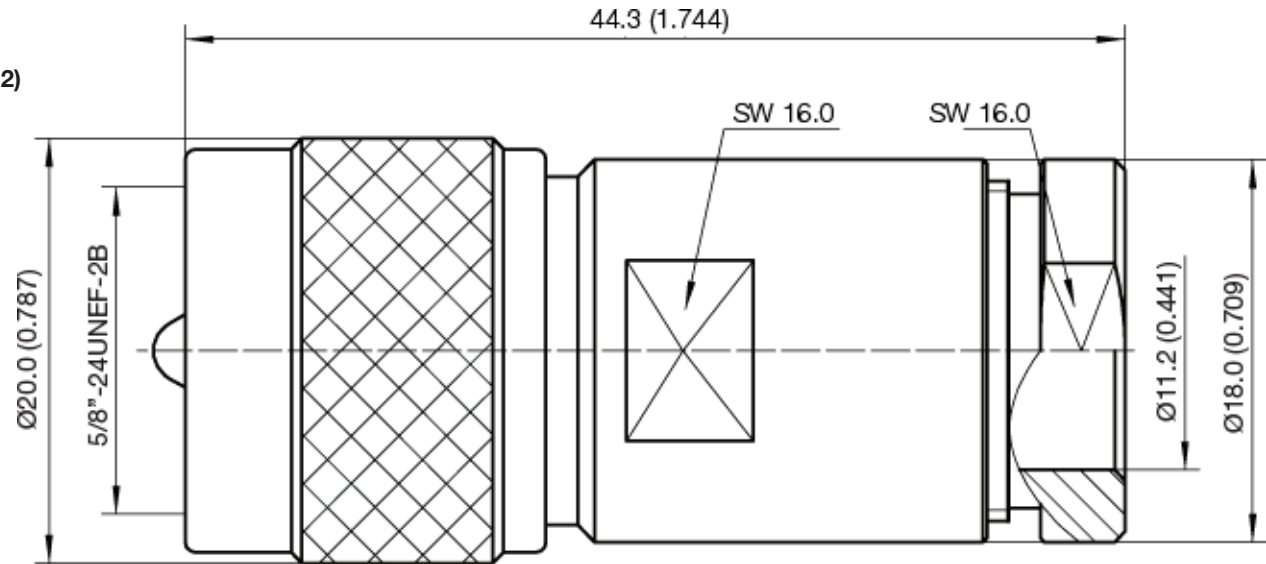
INITIAL

Electrical Data

Impedance 50 Ω
 Frequency Range DC - 2.5 GHz
 Insulation Resistance 5000M Ω
 Insulator Withstanding 1000 V
 Contact Resistance Center 5.0m Ω
 Outer 3.0m Ω

RoHS Compliant

Durability 500 Cycles
 Application GJB681A-89 (MIL-C-39012)



VSWR and Frequency Range Specifications are for reference and are dependant on cable type and other application specific conditions

Drawing not to scale. Dimensions for reference only

WWW.KONNECTRF.COM
 540 NW University Blvd. Ste. 109
 Port Saint Lucie, Florida, 34986
 1-800-790-5887

PART NUMBER

KCC178417

DESCRIPTION

UHF Straight Male Plug Solder

CAGE CODE

664U0

SIGNATURE

X

Cable Types

RG 8, 9, 55, 58, 59, 62, 141, 142, 213, 214, 223, LMR-200, 400, and more.

Materials

Body
 Center Contact
 Insulator

Brass
 Brass
 PTFE

Nickel Plated
 Silver Plated

THIS DRAWING INCLUDING THE DESIGNS IS THE PROPERTY OF KONNECT RF AND IS NOT TO BE USED FOR ANY PURPOSE WITHOUT OUR APPROVAL.