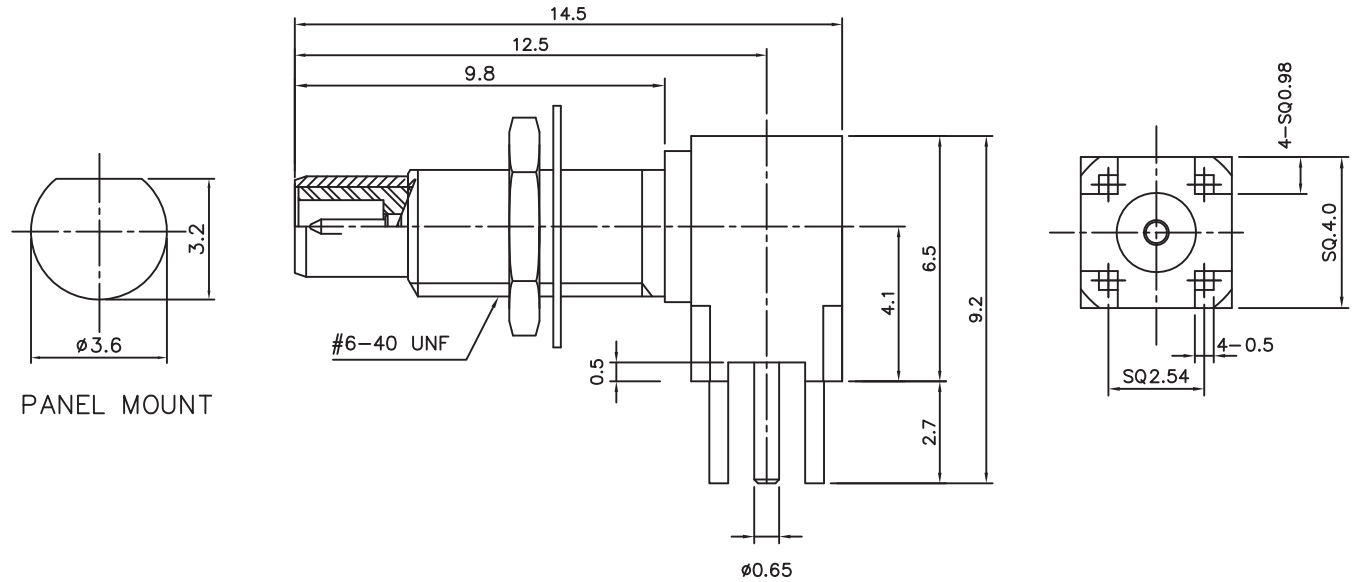


PART NUMBER

KCC178212

REV.

INITIAL

Electrical DataImpedance 50 Ω **RoHS Compliant**

VSWR and Frequency Range Specifications
are for reference and are dependant on cable
type and other application specific conditions

Drawing not to scale. Dimensions for reference only Units: mm

WWW.KONNECTRF.COM
1-800-790-5887

PART NUMBER

KCC178212

DESCRIPTION

**SSMC Right Angle Male Jack 4 Leg Standoff
PC Board Receptacle, Bulkhead Rear Mount**

CAGE CODE

664U0

SIGNATURE

X

THIS DRAWING INCLUDING THE
DESIGNS IS THE PROPERTY OF
KONNECT RF AND IS NOT TO
BE USED FOR ANY PURPOSE
WITHOUT OUR APPROVAL.

Component

Body & Nut
Center Contact
Insulator

Material

Brass
Brass
PTFE

Plating

Gold
Gold