

PART NUMBER

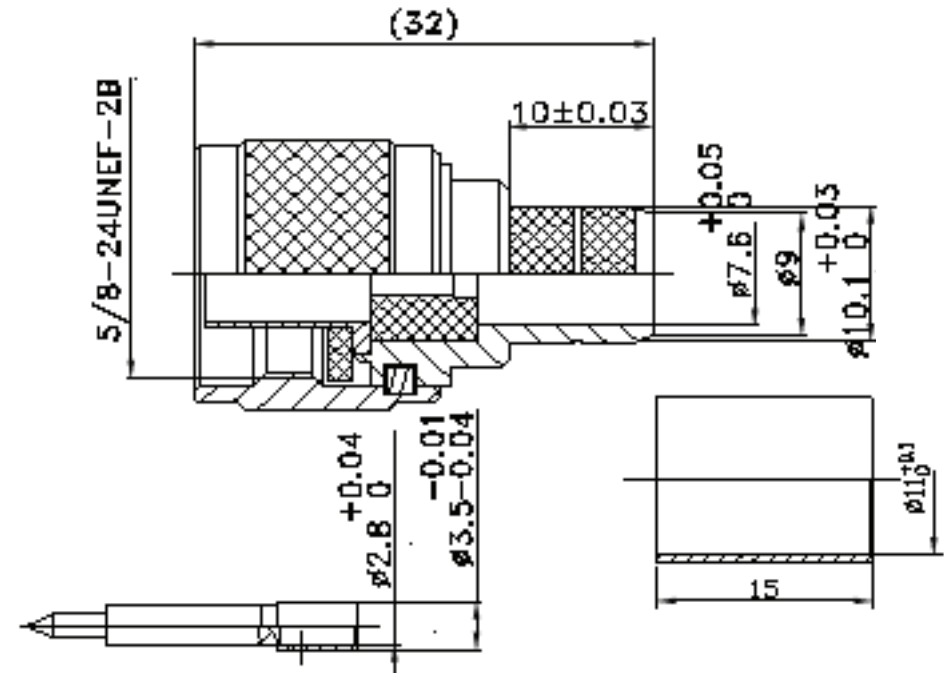
KCC178211

REV.

INITIAL

Electrical Data

Impedance	50 Ω
Frequency Range	DC - 4 GHz
Working Voltage	1000 V Max.
Withstand Voltage	2500 VRMS
Center Contact	≤1 MΩ
Outer Contact	≤1 MΩ
Insulation Resistance	≥1000 MΩ
VSWR	Straight ≤1.15 Right Angle ≤1.25
Durability (Mating)	≥500 cycles
Temperature Range	-65°C ~+ 165°C

RoHS Compliant

VSWR and Frequency Range Specifications are for reference and are dependant on cable type and other application specific conditions

Drawing not to scale. Dimensions for reference only

Units: mm

Konnect RF

WWW.KONNECTRF.COM
1-800-790-5887

PART NUMBER

KCC178211

DESCRIPTION

N Straight Male Plug, Crimp

CAGE CODE

664U0

SIGNATURE

X

Cable Types: LMR-400, RG-11**Component**

Shell
Contact Pin
Elastic Contact
Crimp Ferrule
O-Ring
Insulator

Material

Brass
Brass
Tin Brass
Cu.Alloy
Silicone
PTFE/PE

Plating

Silver
Silver
Gold/Silver
Nickel/Gold

THIS DRAWING INCLUDING THE DESIGNS IS THE PROPERTY OF KONNECT RF AND IS NOT TO BE USED FOR ANY PURPOSE WITHOUT OUR APPROVAL.