

PART NUMBER

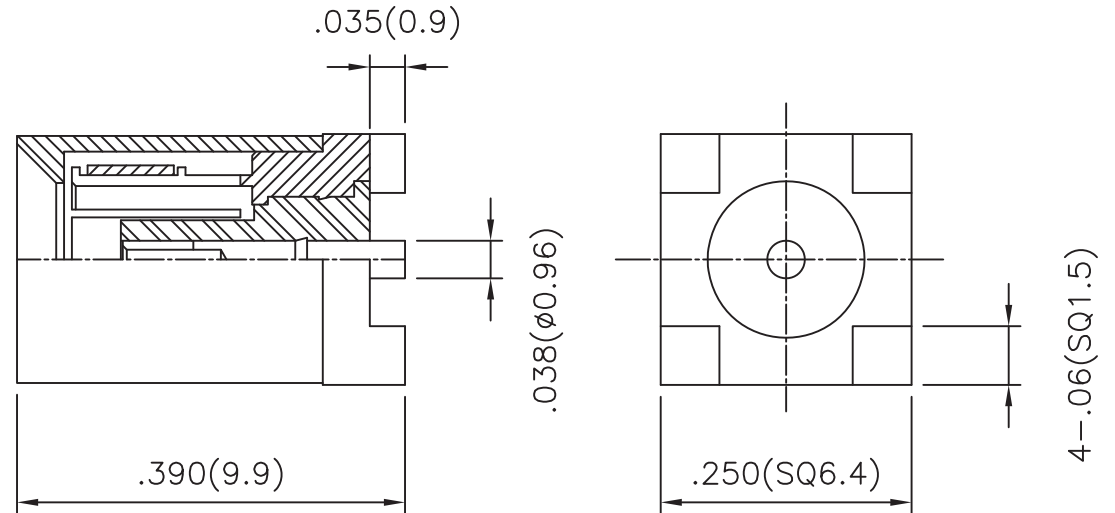
KCC178210

REV.

INITIAL

Electrical Data

Impedance 50 Ω

RoHS Compliant

VSWR and Frequency Range Specifications
are for reference and are dependant on cable
type and other application specific conditions

Drawing not to scale. Dimensions for reference only

Units: inches (mm)

WWW.KONNECTRF.COM
1-800-790-5887

PART NUMBER

KCC178210

DESCRIPTION

**SLB Straight Female Plug Surface Mount
PC Board Receptacle**

CAGE CODE

664U0

SIGNATURE

X

THIS DRAWING INCLUDING THE
DESIGNS IS THE PROPERTY OF
KONNECT RF AND IS NOT TO
BE USED FOR ANY PURPOSE
WITHOUT OUR APPROVAL.

Component

Body & Sleeve
Center Contact
Spring
Insulator

Material

Brass
Be.Cu
Be.Cu
PTFE

Plating

Gold
Gold
Gold