

PART NUMBER

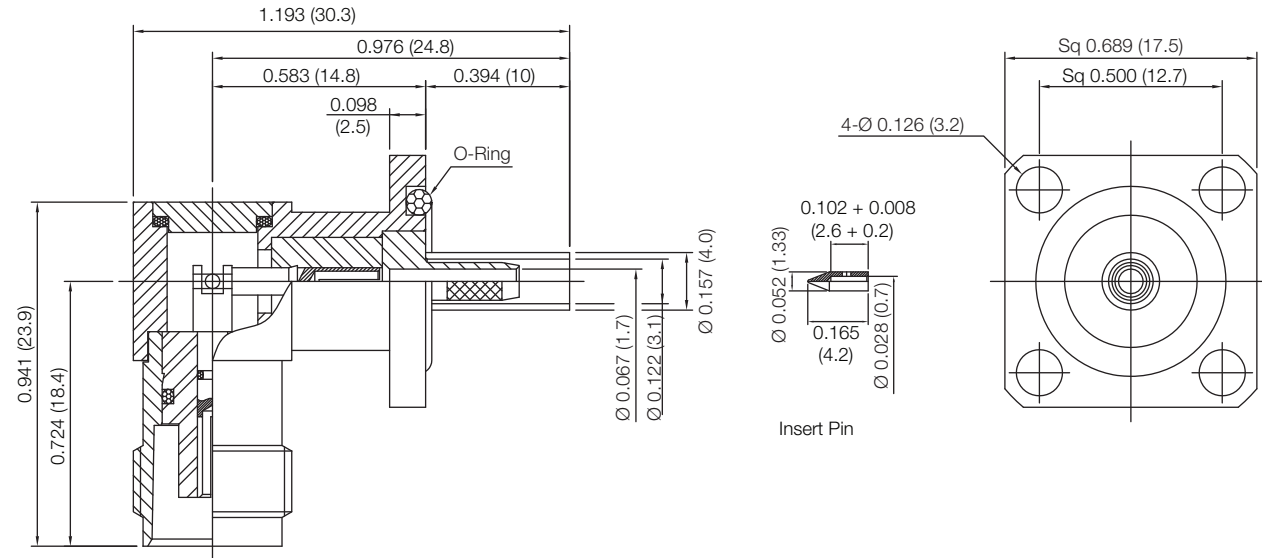
**KCC178170**

REV.

DATE

COMMENTS

INITIAL

**Electrical Data**Impedance 50  $\Omega$ **RoHS Compliant**

Drawing not to scale. Dimensions for reference only

Units: inches (mm)

**Konnect RF**

WWW.KONNECTRF.COM  
1-800-790-5887

PART NUMBER

**KCC178170**

DESCRIPTION

**TNC Right Angle Male Plug, O-Ring Seal Waterproof (IP68), Crimp**

CAGE CODE

**664U0**

SIGNATURE

X

THIS DRAWING INCLUDING THE DESIGNS IS THE PROPERTY OF KONNECT RF AND IS NOT TO BE USED FOR ANY PURPOSE WITHOUT OUR APPROVAL.

**Cable Type:** RG-316  
**Component**

Body, Nut, & Washer  
Center Contact

O-Ring  
Insulator

**Material**

Brass

Brass

BeCu

Silicone Rubber

PTFE

**Plating**

Nickel

Gold

Gold