

PART NUMBER

KCC178166

REV.

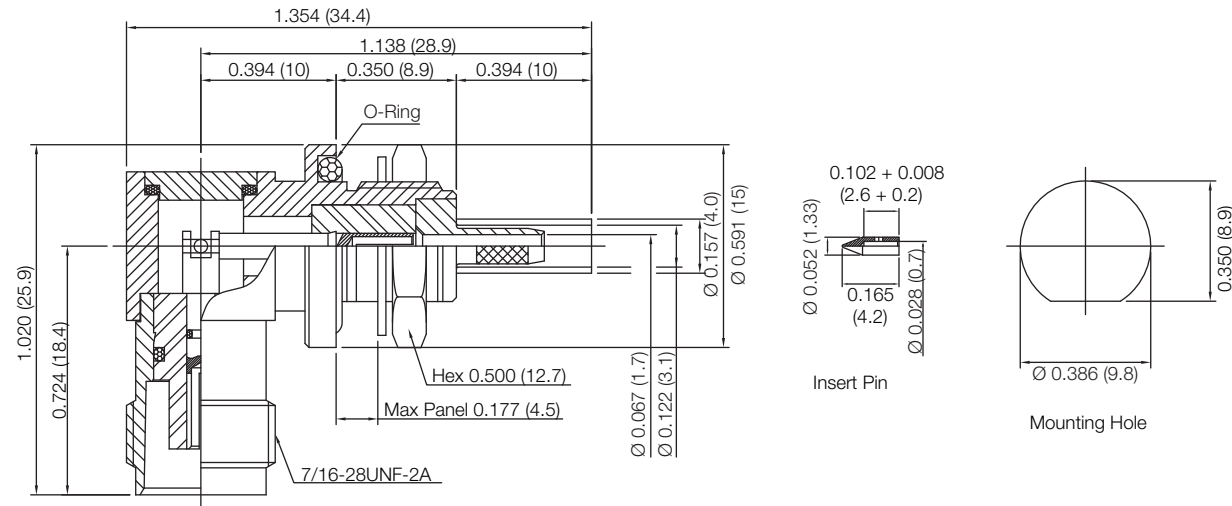
DATE

COMMENTS

INITIAL

Electrical Data

Impedance 50 Ω

RoHS Compliant

Drawing not to scale. Dimensions for reference only

Units: inches (mm)

Konnect RFWWW.KONNECTRF.COM
1-800-790-5887

PART NUMBER

KCC178166

DESCRIPTION

**TNC Right Angle Male Plug, Bulkhead Front Mount
w/ O-Ring Seal Waterproof (IP68), Crimp**

CAGE CODE

664U0

SIGNATURE

X

THIS DRAWING INCLUDING THE
DESIGNS IS THE PROPERTY OF
KONNECT RF AND IS NOT TO
BE USED FOR ANY PURPOSE
WITHOUT OUR APPROVAL.**Cable Type:** RG-316**Component**Body, Nut, & Washer
Center ContactO-Ring
Insulator**Material**Brass
Brass
BeCuSilicone Rubber
PTFE**Plating**Nickel
Gold
Gold