

PART NUMBER

KCC178154

REV.

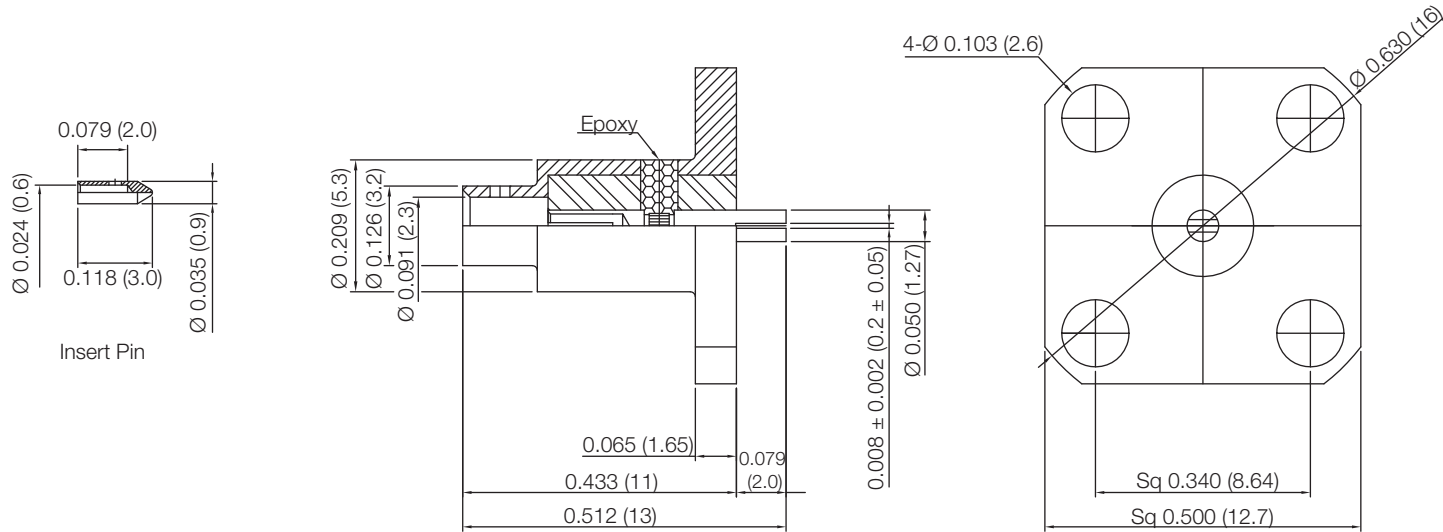
DATE

COMMENTS

INITIAL

Electrical Data

Impedance 50

RoHS Compliant

Drawing not to scale. Dimensions for reference only

Units: inches (mm)

Konnect RFWWW.KONNECTRF.COM
1-800-790-5887

PART NUMBER

KCC178154

DESCRIPTION

Cable Termination, 4 Hole Flange, Solder, Slot Contact

CAGE CODE

664U0

SIGNATURE

X

THIS DRAWING INCLUDING THE DESIGNS IS THE PROPERTY OF KONNECT RF AND IS NOT TO BE USED FOR ANY PURPOSE WITHOUT OUR APPROVAL.

Cable Types: .085 Conformable (RG-405)

Component	Material	Plating
Body	Brass	Gold
Center Contact	BeCu	Gold
Insert Pin	Brass	Gold
Insulator	PTFE	